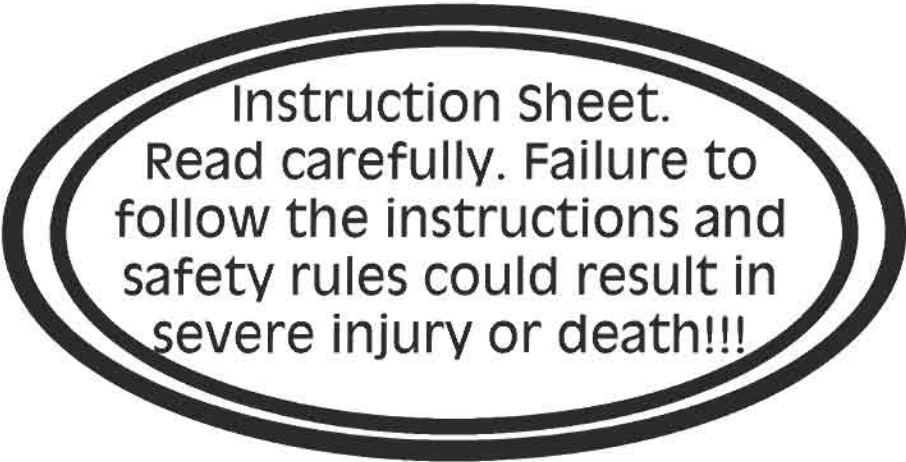




**JLS**  
**Jet Lift Single**

By Lakeshore Products, Inc.



Instruction Sheet.  
Read carefully. Failure to  
follow the instructions and  
safety rules could result in  
severe injury or death!!!

## JLS Parts List

Ref. No.	Part No.	Part Name	Qty
1	KNOB	Spinner Knob	1
2	Y556	1/2 Jam Nut	1
3	20151	Winch Spring	1
4	25W	25" JL Wheel	1
5	JLWINCH	Dutton-Lainson DLB-800 Winch	1
6	JMFSL	Left Mainframe	1
7	JWA	Wood Angle	4
8	JLWB	Wood Bunk	2
9	JCU	Cradle	1
10	JWBP	Wood Angle Backer Plate	4
11	PULJL	Pulley Assembly	2
12	JMFSTSA	Spreader Tube	1
13	H110	Cable	1
14	JHUF	Front H Unit	1
15	Z125	Cradle Pivot Spacer	4
16	JHUR	Rear H Unit	1
17	JLU	Leg	4
18	DEM12	1 1/2 x 2 Plastisol Cap	6
19	Z126	Mainframe Pivot Spacer	4
20	JMFSR	Right Mainframe	1

## JLS Bolts List

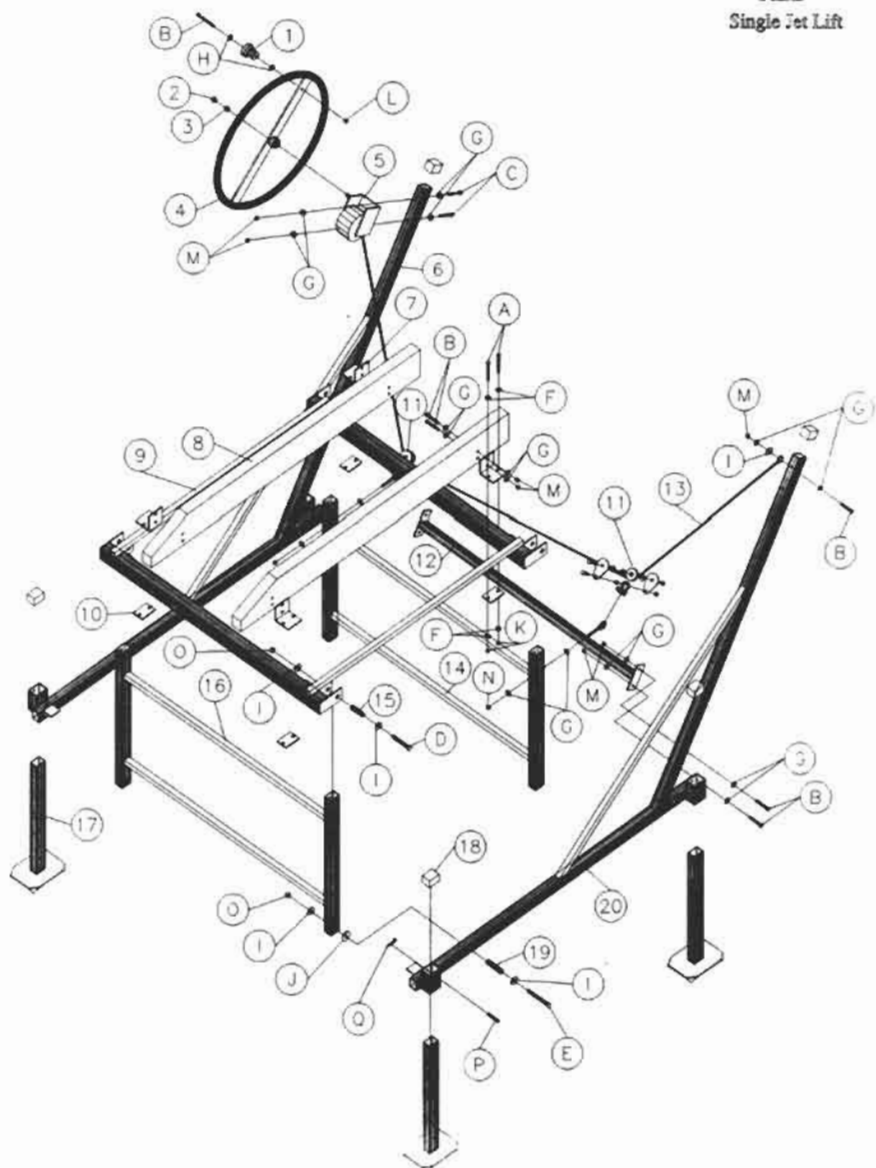
\* Available locally

A	Y315	* 5/16 x 3 3/4 Hex Bolt	8
B	Y410	* 3/8 x 2 1/2 Hex Bolt	13
C	Y412	* 3/8 x 3 Hex Bolt	2
D	Y514	* 1/2 x 3 1/2 Hex Bolt	4
E	Y516	* 1/2 x 4 Hex Bolt	4
F	Y352	* 5/16 Flat Washer	16
G	Y452	* 3/8 Flat Washer	34
H	X452	* 3/8 Stainless Flat Washer	2
I	Y552	* 1/2 Flat Washer	17
J	Y652	* 3/4 Flat Washer	4
K	Y351	* 5/16 Lock Nut	8
L	Y450	* 3/8 Hex Nut	1
M	Y451	* 3/8 Lock Nut	15
N	G450	3/8 Galvanized Hex Nut	2
O	Y553	* 1/2 Center Lock Nut	8
P	CP	3/8 x 2 1/2 Clevis Pin	4
Q	HPC	S-Bend Cotter Pin	4

LAKESHORE PRODUCTS, INC.

856 CHICAGO ROAD • OUBINY, MICHIGAN 49882 • TEL. (517) 838-8815 • FAX (517) 838-4575

JLS  
Single Jet Lift



JLS

## Lakeshore Products, Inc. Jet Lift Single

Thank you for purchasing a Lakeshore Jet-Lift. With proper care and maintenance, this lift will provide you with years of trouble free service.

Before beginning assembly, there are a few hints that will greatly simplify the process.

- 1) Open the accessory package; and sort and identify its contents using the Accessory Package List.
- 2) Lay out the rest of the parts and identify them using the parts list and exploded view on the previous page.
- 3) Read all of an individual instruction before performing it.
- 4) Do not tighten the bolts until assembly is complete.

- |      |                               |
|------|-------------------------------|
| (8)  | 5/16 x 3 3/4 hex bolts        |
| (13) | 3/8 x 2 1/2 hex bolts         |
| (2)  | 3/8 x 3 hex bolts             |
| (4)  | 1/2 x 3 1/2 hex bolts         |
| (4)  | 1/2 x 4 hex bolts             |
| (16) | 5/16 flat washers             |
| (30) | 3/8 flat washers              |
| (17) | 1/2 flat washers              |
| (4)  | 3/4 flat washers              |
| (8)  | 5/16 lock nuts                |
| (15) | 3/8 lock nuts                 |
| (8)  | 1/2 center lock nuts          |
| (4)  | Wood Angles                   |
| (4)  | Wood Backer Plates            |
| (4)  | 2 1/2 Cradle Pivot Spacers    |
| (4)  | 3 1/4 Mainframe Pivot Spacers |
| (6)  | 1 1/2 x 2 red plastisol caps  |
| (1)  | Cable with loop in one end    |
| (1)  | 800# D/L Winch                |
| (1)  | Instruction Sheet             |

Accessory Package List
---------------------------

You will also require the following tools:

- (2) 9/16 wrench
- (2) 3/4 wrench
- (1) 7/16 wrench

**\*\*\*CAUTION!!!\*\*\***

Do not over-tighten the nuts and bolts on your lift. Doing so may severely damage the structural integrity of your lift. When tightening a regular nut against an aluminum tube, tighten until the surface of the tube dimples slightly (1/8"). All lock nuts should be tightened until at least one to one and a half threads of the bolt are showing through the nut. If you crush the tube, it can crack and fail under pressure.

1) Set up the Mainframes on a level area. The Legs should already be installed with:

- (4) 3/8 x 2 1/4 clevis pins
- (4) S-bend cotter pins

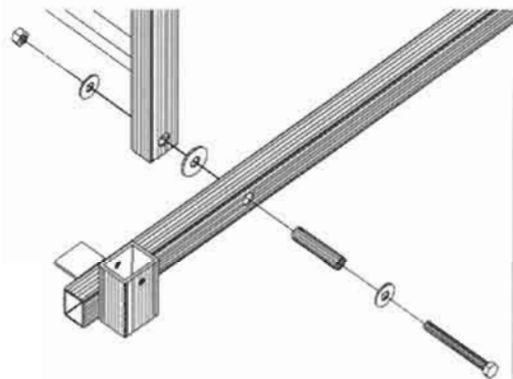
Install the red plastisol caps on top of the Mainframe and the Legs.

2) Bolt the Mainframe Spreader Tube between the Mainframes using:

- (4) 3/8 x 2 1/2 hex bolts
- (8) 3/8 flat washers
- (4) 3/8 lock nuts



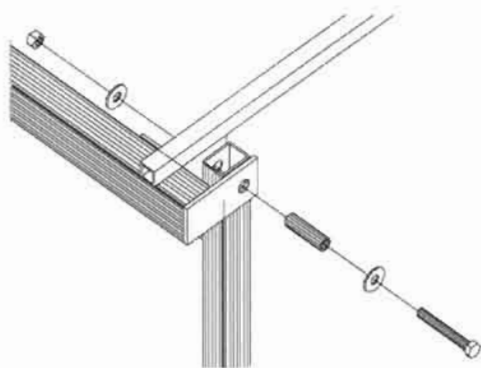
3) Install the H Units with:



- (4) 3 1/4 mainframe pivot spacers
- (4) 1/2 x 4 hex bolts
- (8) 1/2 flat washers
- (4) 1/2 center lock nuts
- (4) 3/4 flat washers

The 3/4 washer slides over the Pivot Spacer between the Mainframe and the H Unit.

4) Now install the Cradle on the top of the H Units using:



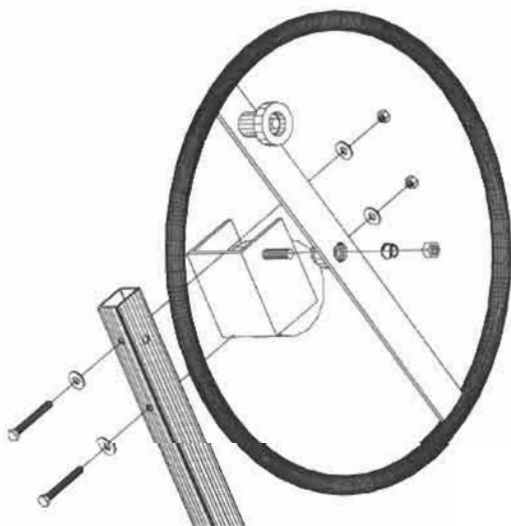
- (4) 2 1/2 cradle pivot spacers
- (4) 1/2 x 3 1/2 hex bolts
- (8) 1/2 flat washers
- (4) 1/2 center lock nuts

5) Install the winch on the desired side of the lift with:

- (2) 3/8 x 3 hex bolts
- (4) 3/8 flat washers
- (2) 3/8 lock nuts

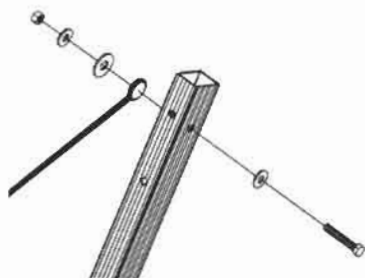
6) CAREFULLY thread the 25" wheel onto the Winch and secure it with (1) Winch Spring and (1) 1/2 Jam Lock Nut. Winch instructions are included with the winch.

NOTE: Extreme care should be taken not to crossthread and damage the threads on the wheel hub. This is not covered by warranty. Once the wheel is threaded on, you should hear the braking mechanism click as you turn the wheel clockwise. If you do not hear the clicking sound, the wheel needs to be threaded farther onto the spindle.



7) Attach the Cable to the Mainframe opposite the Winch using:

- (1) 3/8 x 2 1/2 hex bolt
- (2) 3/8 flat washers
- (1) 1/2 flat washer
- (1) 3/8 lock nut.



String the cable as shown in the exploded view and secure it to the Winch following the instructions included with the Winch.

You may now tighten all of the nuts and bolts you have installed. Make sure that the mainframe pivot spacers tighten against the 1/2" washers and are all the way through both tubes and not against the inside of either tube. Be careful not to overtighten.

**WARNING!!!** Inspect your lift often to insure safe use. Replace any worn or damaged parts immediately!! DO NOT use the lift if any parts are worn or damaged.

8) Attach the Wood Angles to the Wood Bunks with:

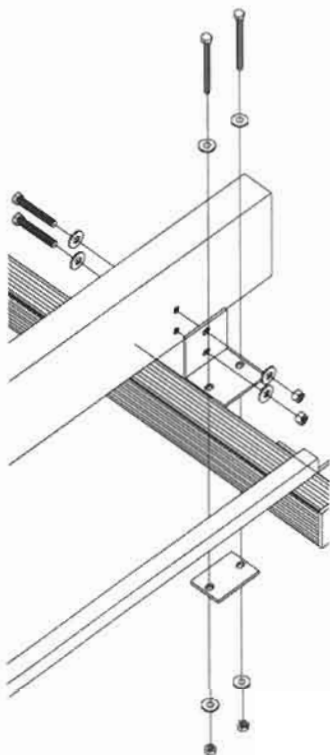
- (8) 3/8 x 2 1/2 hex bolts
- (16) 3/8 flat washers
- (8) 3/8 lock nuts.

The bolt heads should be against the wood and the lock nuts against the angle, both with a single washer under them. Attach two angles on the outside of each board.

9) Attach the boards to the cradle using:

- (8) 5/16 x 3 3/4 hex bolts
- (16) 5/16 flat washers
- (8) 5/16 lock nuts
- (4) Wood Backer Plates,

and adjust to the proper width for your personal watercraft.



10) Move your lift into the water and adjust its legs so that the lift is level. Adjust the legs by removing the clevis pin, sliding the leg to the desired position, and then replacing the clevis pin and S-bend cotter.

### **IMPORTANT**

Your Lakeshore Jet-Lift will only protect your personal watercraft if the craft is lifted well above the level of the water. In larger lakes or during storms, large waves may lift the craft from the lift or tip the lift over, causing damage both to the craft and the lift. You must take precautions to protect your craft and lift from these conditions. If your craft suffers damage from high waves, common sense dictates that Lakeshore Products cannot accept responsibility for such damage.

Inspect your lift often for signs of wear or improper operation. Be aware of normal cranking force. Any increase in cranking force is a sign that something is wrong.

Pay attention to the condition of your cable. A frayed or rusted cable can lead to failure of the lift. Replace it immediately.

### **In Deep Water?**

If you have a deep lake and are in need of longer legs, Lakeshore Products, Inc. offers 4 foot long legs for the JLS. Ask your dealer for details or call us at (517) 639-3815.



*Do you have more than one personal watercraft?*

*Lakeshore Products would like to introduce you to the*

*JLD2*

*A Double Jet Lift with Independent Action*

*\* Two wheels*

*\* Two winches*

*\* Two independent cradle systems  
to hold:*

*Two independent personal watercraft!!*

*Ask your dealer for details.*

*Lakeshore Products, Inc*  
*is*  
*your waterfront specialist!*

*We offer a complete line of Quality Aluminum waterfront accessories.*

- \* Vertical Boatlifts*
- \* Cantilever Boatlifts*
- \* Pontoon Lifts*
- \* Personal Watercraft Lifts*
- \* Docks and accessories*
- \* Pontoon Ladders*
- \* Anchors*

*Ask your dealer for details.*



**LAKESHORE PRODUCTS**

**TEN YEAR LIMITED WARRANTY**

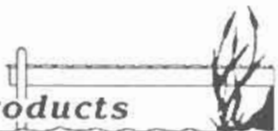
Lakeshore Products, Inc. (Seller) warrants the aluminum structure on docks and lifts of its manufacture to be free from defects caused by faulty material or poor workmanship. Seller will at its option, repair or replace any such goods found on examination by Seller, to be defective under normal use and service within ten years from date of purchase. Upon discovery of any such defect, Buyer must notify Seller in writing of defect and provide proof of purchase. Seller warrants cast aluminum parts, mechanical components and hardware for one year.

Seller shall not be held responsible for repairs or modifications to its docks or lifts unless authorization has been obtained from Seller. This warranty does not cover damage caused by incorrect assembly or adjustments, overloading, improper use, neglected maintenance, alterations or damage caused by accident, ice, saltwater or acts of God.

Components obtained from other manufacturers and used in Sellers products will be covered under the manufacturers warranty and shall not be the responsibility of the Seller.

Sellers responsibility under this warranty shall be the repair or replacement of defective items. Seller is not liable for incidental or consequential damages of any kind.

*Lakeshore Products*



855 CHICAGO ROAD  
QUINCY, MI 49082

517-639-3815  
FAX 517-639-4576