

LAKE SHORE PRODUCTS, INC.

LSC1488 1400# Cantilever Lift

Instruction Manual

Read carefully.

Failure to follow the instructions and
safety rules could result in severe injury
or death !!

LSC1488 Parts List

Ref. No.	Part No.	Part Name	Qty
1	KNOB	Spinner Knob	1
2	Y556	1/2 Jam Nut	1
3	20151	Winch Spring	1
4	25WD	25" 1500# JL Wheel	1
5	JLDWINCH	Dutton-Lainson DLB-1500 Winch	1
6	20466	1 1/2 x 4 1/2 Plastisol Cap	2
7	20439	Left Mainframe	1
8	PULJL	Pulley Assembly	2
9	20442	Carpeted Bunk	2
10	20403	Cradle Spreader Tube	2
11	20463	Angle Cap	4
12	20501	Bunk Adjuster Channel	4
13	20502	Channel Backer Plate	4
14	20452	Rear Cradle	1
15	20441	H Unit	2
16	20450	Mainframe Spreader Tube	1
17	20451	Front Cradle	1
18	20454	Cable	1
19	20440	Right Mainframe	1
20	JLU	Leg	4
21	DEM12	1 1/2 x 2 Plastisol Cap	4

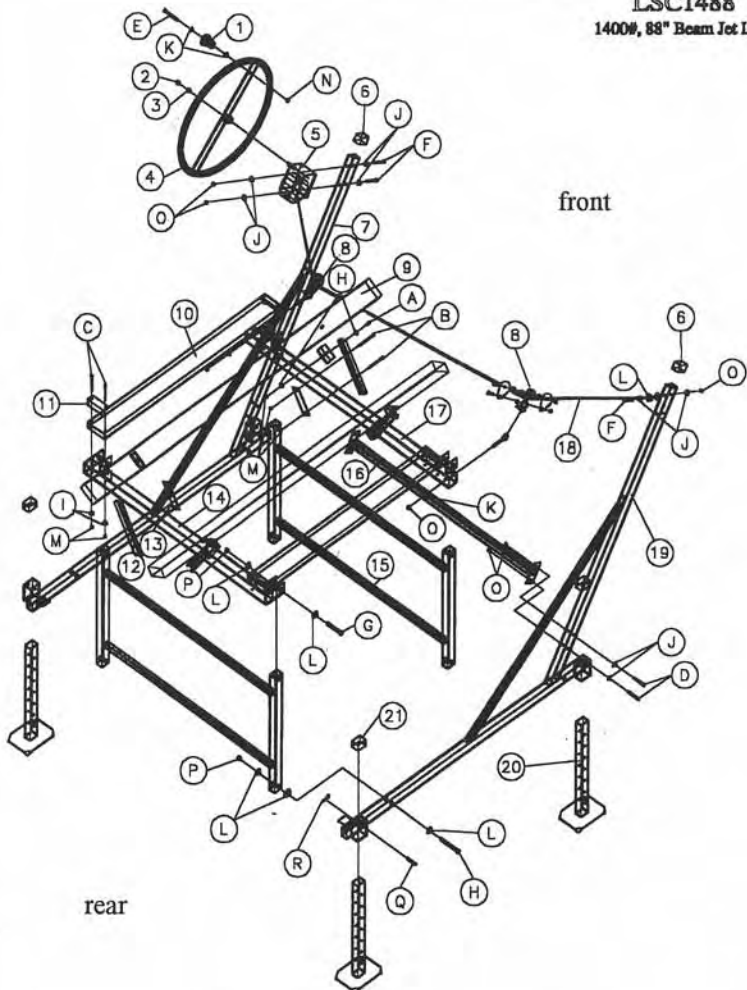
LSC1488 Bolts List

* Available locally

A	Y304	* 5/16 x 1 Hex Bolt	4
B	Y310	* 5/16 x 2 1/2 Hex Bolt	8
C	Y326	* 5/16 x 6 1/2 Hex Bolt	8
D	Y410	* 3/8 x 2 1/2 Hex Bolt	4
E	Y410	* 3/8 x 2 1/2 Hex Bolt	1
F	Y422	* 3/8 x 5 1/2 Hex Bolt	3
G	Y514	* 1/2 x 3 1/2 Hex Bolt	4
H	Y519	* 1/2 x 4 1/2 Hex Bolt	4
I	Y352	* 5/16 Flatwasher	16
J	Y452	* 3/8 Flatwasher	10
K	X452	* 3/8 Stainless Flatwasher	2
L	Y552	* 1/2 Flatwasher	13
M	Y353	* 5/16 Center Lock Nut	20
N	Y450	* 3/8 Hex Nut	1
O	Y451	* 3/8 Nylon Lock Nut	7
P	Y551	* 1/2 Nylon Lock Nut	8
Q	CP	3/8 x 2 1/4 Clevis Pin	4
R	HPC	S-Bend Cotter Pin	4

LAKESHORE PRODUCTS, INC.
800 CHICAGO ROAD • ELSTON, ILLINOIS 60120 • TEL. (312) 830-8218 • FAX (312) 830-8218

LSC1488
1400#, 88" Beam Jet Lift



LAKESHORE PRODUCTS, INC. 1400#, 88" Beam Jet Lift

Thank you for purchasing a Lakeshore Cantilever Lift. With proper care and maintenance, this lift will provide you with years of trouble free service. Please follow these instructions carefully.

We have made assembly of your new lift as simple as possible. Each bolt pack is labeled to correspond to the steps listed in this manual. Below is a list of the components included in your accessory package.

Accessory Package List:

- (1) Package containing 7 bolt packs
- (4) Angle caps - 4 1/2 long
- (8) Bunk bracket adjustment channels
- (4) Bunk bracket plates
- (2) 1 1/2 x 4 1/2 red plastisol caps
- (4) 1 1/2 x 2 red plastisol caps
- (1) Cable with loop in one end
- (1) 1500# D/L winch

You will require the following tools:

- (1) 7/16 wrench (for winch)
- (2) 1/2 wrenches
- (2) 9/16 wrenches
- (2) 3/4 wrenches
- or (2) crescent wrenches

CAUTION Do not overtighten the nuts and bolts on your lift. Doing so may cause the lift to fail. When tightening against a tube, tighten until the aluminum just dimples. Lock nuts should be tightened until at least one thread of the bolt is showing through the nut. If you crush the tube, it may crack and fail under normal use.

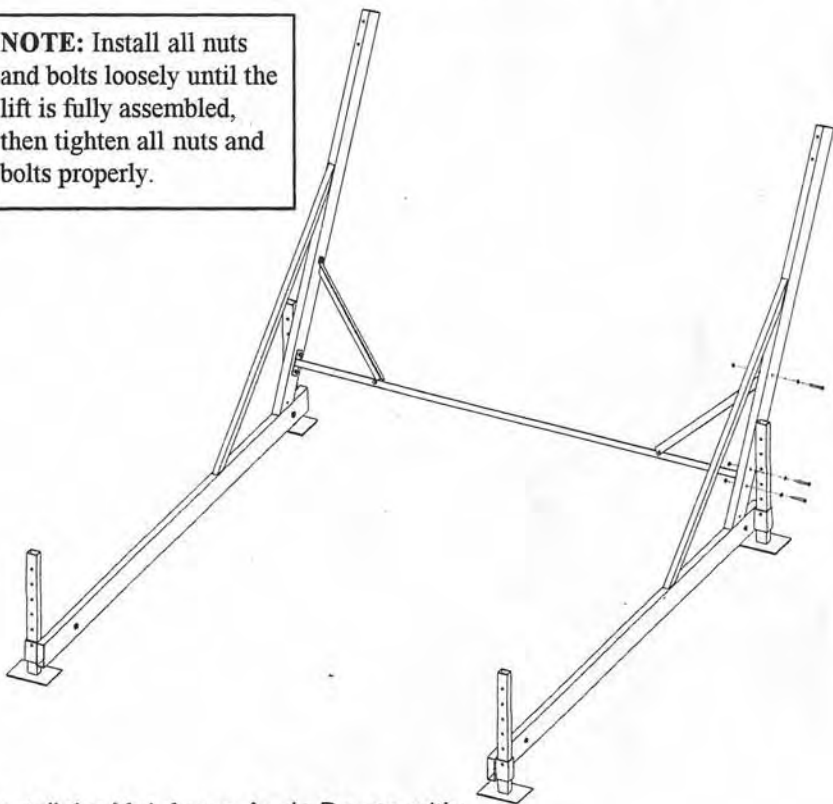
1) Set up the Mainframes on a level area. Install the red plastisol caps on top of the Mainframe and the Legs.

2) Bolt the Mainframe Spreader Tube between the Mainframes using:

- (4) 3/8 x 2 1/2 hex bolts
- (4) 3/8 flat washers
- (4) 3/8 nylon lock nuts

The holes in the spreader tube should be towards the top.

NOTE: Install all nuts and bolts loosely until the lift is fully assembled, then tighten all nuts and bolts properly.

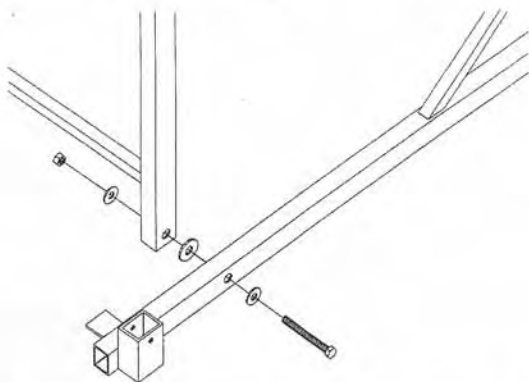


Install the Mainframe Angle Braces with:

- (4) 5/16 x 2-1/2 hex bolts
- (4) 5/16 lock nuts
- (4) 5/16 flatwashers

Place the washers under the heads of the bolts and against the tubes. Put the nut against the plate or angle on the opposite side.

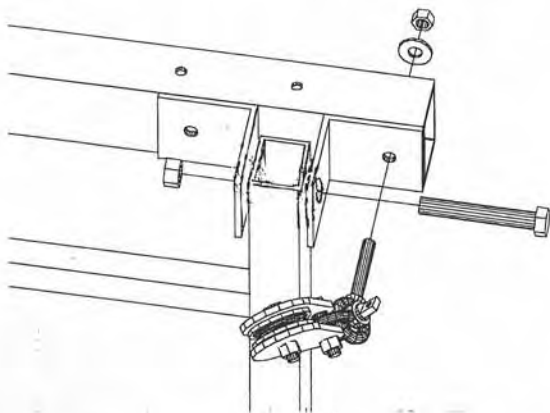
3) Install the H Units using:



- (4) 1/2 x 4 1/2 hex bolts
- (12) 1/2 flat washers
- (4) 1/2 nylon lock nuts

Place a washer under the head of the bolt, under the nut, and between the H Unit and the Mainframe.

4) Now install the Front and Rear Cradles on the top of the H Units using:



- (4) 1/2 x 3 hex bolts
- (4) 1/2 nylon lock nuts

Make certain the holes are to the top of the cradle

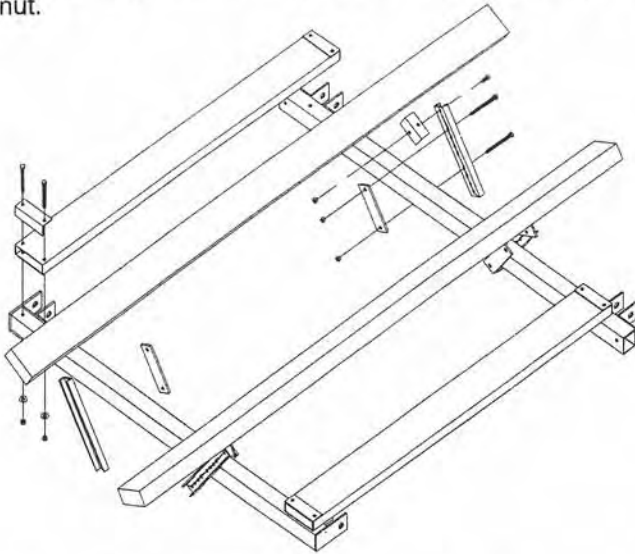
5) Attach the Cradle Spreader Tubes to the Front and Rear Cradles using:

- (8) 5/16 x 6 1/2 hex bolts
- (4) Angle caps - 4 1/2 long
- (8) 5/16 flatwashers
- (8) 5/16 center lock nuts

6) Attach the Carpeted Bunks to the Front and Rear Cradles using:

- (4) 5/16 x 1 hex bolts
- (8) 5/16 x 2 1/2 hex bolts
- (4) Bunk adjustment channels
- (4) Bunk channel backer plate
- (12) 5/16 center lock nuts

7) Install the (2) pulley assemblies in the front cradle placing one washer under the nut.



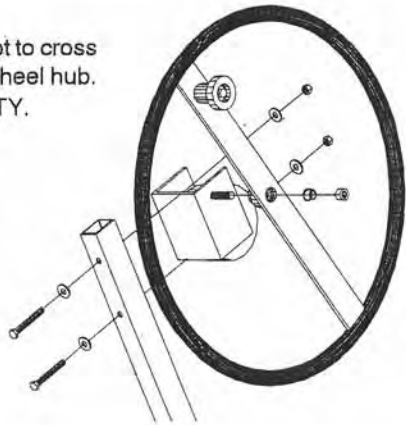
8) Install the winch on the desired side of the lift using:

- (2) 3/8 x 5 1/2 hex bolts
- (4) 3/8 flat washers
- (2) 3/8 nylon lock nut

9) CAREFULLY thread the 25" red wheel onto the winch shaft. The wheel should turn easily.

NOTE: Extreme care should be taken not to cross thread and damage the threads on the wheel hub. THIS IS NOT COVERED BY WARRANTY.

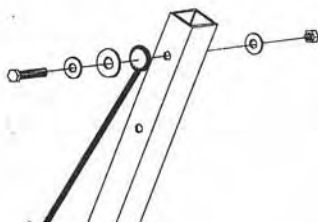
Install (1) winch spring
(1) 1/2 jam lock nut
onto the shaft. Tighten the jam
nut while preventing the winch
from turning. If the winch is al-
lowed to turn, the wheel will come
off the shaft. Only 1 or 2 threads
should show through the nylon in
the nut.



Turn the wheel clockwise until it tightens up against the winch and you hear the braking mechanism begin to click. When you turn the wheel counter-clockwise the brake will be released. Make certain the brake is activated

10) Attach the Cable to the Mainframe opposite the Winch using:

- (1) 3/8 x 5 1/2 hex bolt
- (2) 3/8 flat washers
- (1) 1/2 flat washer
- (1) 3/8 nylon lock nut.



String the cable as shown in the exploded view and secure it to the Winch following the instructions included with the Winch.

You may now tighten all of the nuts and bolts you have installed except the 1/2" pivot bolts in Step 3 and Step 4. Be careful not to over tighten.

WARNING!!! Inspect your lift often to insure safe use. Replace any worn or damaged parts immediately!! DO NOT use the lift if any parts are worn or damaged.

11) Move your lift into the water and adjust its legs so that the lift is level. Do this by removing the clevis pin, sliding the leg to the desired position, and then replacing the clevis pin and S-bend cotter. Adjust the bunks to best fit your craft.

IMPORTANT

Your Lakeshore Jet Lift will only protect your personal watercraft if the craft is lifted well above the level of the water. In larger lakes or during storms, large waves may lift the craft from the lift or tip the lift over, causing damage both to the craft and the lift. You must take precautions to protect your craft and lift from these conditions. If your craft suffers damage from high waves, Lakeshore Products will not accept responsibility for such damage.

Inspect your lift often for signs of wear or improper operation. Be aware of normal cranking force. Any increase in cranking force is a sign that something is wrong.

Grease the winch shaft yearly. The red wheel must be able to thread and unthread easily in order for the braking mechanism to work properly.

Pay attention to the condition of your cable. A frayed or rusted cable can lead to failure of the lift. Replace it immediately. Greasing the cable can extend its life.

SPECIAL NOTE: NEVER over crank the winch. Once the lift has reached its highest point, further cranking will damage the lift.

In Deep Water?

If you have a deep lake and are in need of longer legs, Lakeshore Products, Inc. offers 4 foot long legs for your Jet Lift. Ask your dealer for details or call us at (517) 639-3815.

LAKE SHORE PRODUCTS, INC

Your waterfront specialist!

We offer a complete line of Quality Aluminum waterfront accessories.

Personal Watercraft Lifts
Vertical Boatlifts
Pontoon Lifts
Pontoon Ladders
Docks and accessories
Benches

Ask your dealer for details.

Lakeshore Products, Inc.



Ten/Two Year Limited Warranty


Lakeshore Products, Inc. (Seller) warrants the aluminum structure on docks and lifts of its manufacture to be free from defects caused by faulty material or poor workmanship. Seller will, at its option, repair or replace any such goods found on examination by Seller, to be defective under normal use and service within ten years from date of purchase. Upon discovery of any such defect, Buyer must notify Seller in writing of defect and provide proof of purchase. Seller warrants cast aluminum parts, mechanical components, and hardware for two years.

Seller shall not be held responsible for repairs or modifications to its docks or lifts unless authorization has been obtained from Seller. This warranty does not cover damage caused by incorrect assembly or adjustments, overloading, improper use, neglected maintenance, alterations, or damage caused by accident, ice, salt water, or acts of God.

Components obtained from other manufacturers and used in Seller's products will be covered under the manufacturer's warranty and shall not be the responsibility of the Seller.

Seller's responsibility under this warranty shall be the repair or replacement of defective items. Seller is not liable for incidental or consequential damages of any kind.

855 Chicago Rd • Quincy, Michigan 49082 • (517) 639-3815 • Fax (517) 639-4576

Lakeshore Products, Inc. 

"Your Waterfront Specialists"

855 Chicago Road • Quincy, Michigan 49082
(517) 639-3815 • Fax: (517)639-4576