

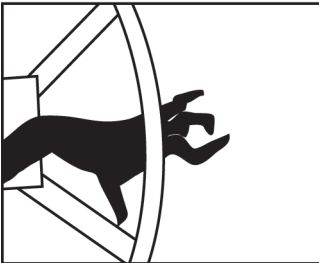


Owner's Manual

LSC650

800 lb, 50" Beam PWC Lift

READ CAREFULLY - FAILURE TO FOLLOW INSTRUCTIONS AND SAFETY RULES MAY RESULT IN SERIOUS INJURY



⚠ WARNING

DO NOT ATTEMPT TO STOP SPINNING WHEEL.
Serious personal injury could result.

Lift Wheel must be turned clockwise for lifting.
NEVER raise lift by turning wheel counterclockwise.
Doing so will result in an uncontrolled spin down,
which could lead to cable failure and serious injury.

Z117

⚠ CAUTION

DO NOT CRANK PAST STOP POSITION.

When raising lift be aware that when moving components contact frame you have reached maximum height.
Turning wheel past this point may cause personal injury and will cause damage to lift that is not covered by warranty.

Z119

⚠ WARNING

DO NOT OPERATE THIS HOIST WITHOUT FIRST STUDYING THE OWNER'S MANUAL.

1. Before operating this lift be sure to understand all operating procedures and safety precautions.
2. **NEVER** operate lift with people on board boat or near any part of lift.
3. **NEVER** work or play on, around or under lift.
4. **NEVER** exceed the rated capacity of lift. Doing so may cause lift to fail.
5. Before use visually inspect **SHEAVES** and **CABLE** for wear or fraying. Follow proper maintenance procedures.

Failure to follow these procedures could cause lift to fail and result in death or serious personal injury.

Z116

Manufacturers of Lakeshore Products

855 East Chicago Road, Quincy, MI 49082

www.lakeshoreproducts.com • tel: 517.639.3815 • fax: 517.639.4576

LSC650 800 lb, 50" Beam PWC Lift

With proper care and maintenance, this lift will provide you with years of trouble free service. Please follow these instructions carefully.

NOTE

Install all nuts and bolts loosely until the lift is fully assembled, then tighten all nuts and bolts properly.

Do not overtighten the nuts and bolts on your lift.

Doing so may cause the lift to fail. When tightening against a tube, tighten until the aluminum just dimples. If you crush the tube, it may crack and fail under normal use.

tools needed

adjustable wrenches	2
or	
1/2 wrenches	2
9/16 wrenches	2
3/4 wrenches	2
7/16 wrench [for winch]	1

1. mainframe setup

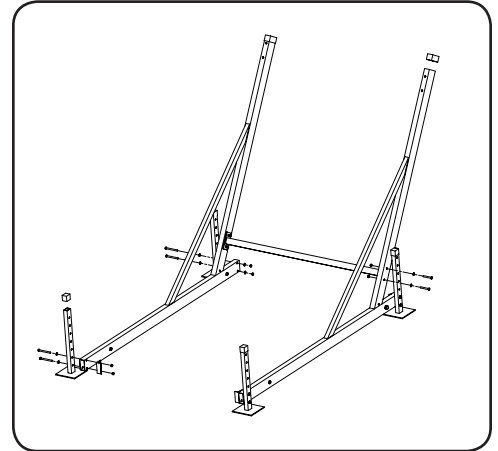
mainframes	2
legs attached	4
angle stops	2
bolt package step 1	1

Set up the 2 mainframes.

Install the legs with angle stops on inside of the rear legs:

- 8 - 5/16 x 3 1/2 hex bolts
- 12 - 5/16 flat washers
- 8 - 5/16 nylon lock nuts

Place the washers under the heads of the bolts and against the tubes. Put the nut against the tube or angle on the inside.



2. mainframe spreader

mainframe spreader	1
bolt package step 2	1

Bolt the mainframe spreader tube between the mainframes using:

- 4 - 5/16 x 2 1/2 hex bolts
- 4 - 5/16 flat washers
- 4 - 5/16 nylon lock nuts

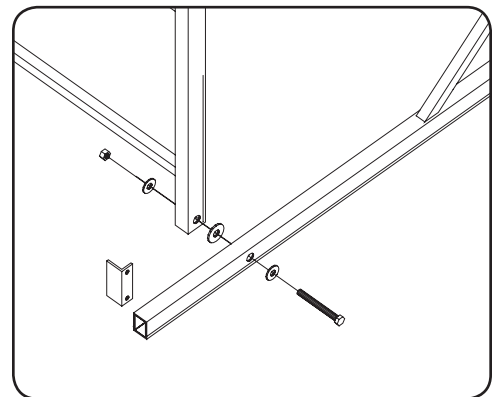
3. install H-units

H-units	2
bolt package step 3	1

Place the 2 H-units inside the mainframes and attach using:

- 4 - 1/2 x 4 1/2 hex bolts
- 12 - 1/2 flat washers
- 4 - 1/2 nylon lock nuts

Place a washer under the head of each bolt, under the nut, and between the H-unit and the mainframe. The bolts must be loose enough to allow the H-units to pivot.



4. cradles

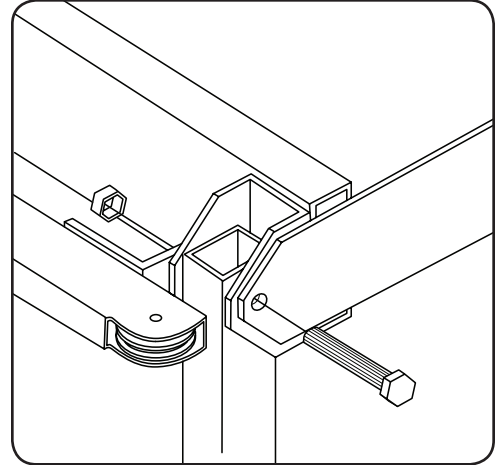
cradle 50.5"	2
cradle tie bar 58.75"	2
pulley bar 51"	1
bolt package step 4	1

Install the cradles on the top of the H-units using:

- 4 - 1/2 x 3 1/2 hex bolts
- 4 - 1/2 nylon lock nuts

Install the 2 cradle tie bars between the front and rear H-units.

Install the pulley bar on the front H-unit.

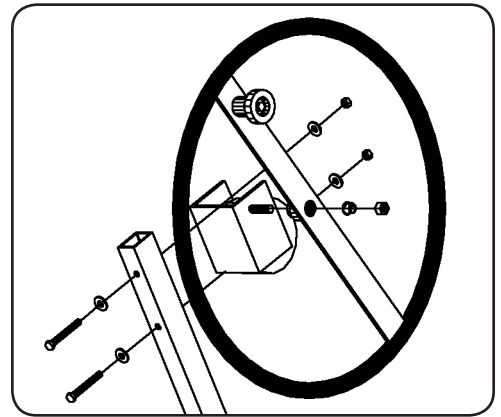


5. install winch

winch 800#	1
red wheel 25"	1
bolt package step 5	1

Install the winch on the desired side of the lift using:

- 2 - 3/8 x 4 hex bolts
- 4 - 3/8 flat washers
- 2 - 3/8 nylon lock nut



6. install wheel

CAREFULLY thread the 25" red wheel onto the winch shaft. The wheel should be able to thread on and off the shaft easily.

Fasten onto the shaft using:

- 1 - winch spring
- 1 - 1/2 jam lock nut

Tighten the jam nut while preventing the winch from turning. If the winch drum is allowed to turn, the wheel will come off the shaft. ONLY 1 OR 2 THREADS SHOULD SHOW through the nylon in the nut.

Turn the wheel clockwise until it tightens up against the winch and you hear the braking mechanism begin to click. When you turn the wheel counter-clockwise the brake will be released. Make certain the brake is activated when performing the next step.

NOTE

The wheel needs to thread on and off the shaft to activate the brake. This shaft should be greased yearly to ensure proper operation.

Extreme care should be taken not to cross thread and damage the threads on the wheel hub. This will void your warranty.

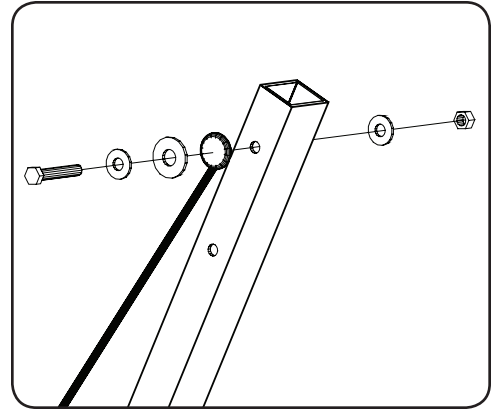
7. string cable

1	–	3/8 x 4 hex bolt	1
2	–	3/8 flat washers	1

Attach the loop end of the cable to the mainframe opposite the winch using:

- 1 – 3/8 x 4 hex bolt
- 2 – 3/8 flat washers
- 1 – 1/2 flat washer
- 1 – 3/8 nylon lock nut

String the cable through the pulley bar and secure it to the winch following the instructions included with the winch.



8. bunks

2	–	wood bunks	2
4	–	wood angles	4
4	–	wood backer plates	4
1	–	bolt package step 8	1

Attach the wood angles to the wood bunks using:

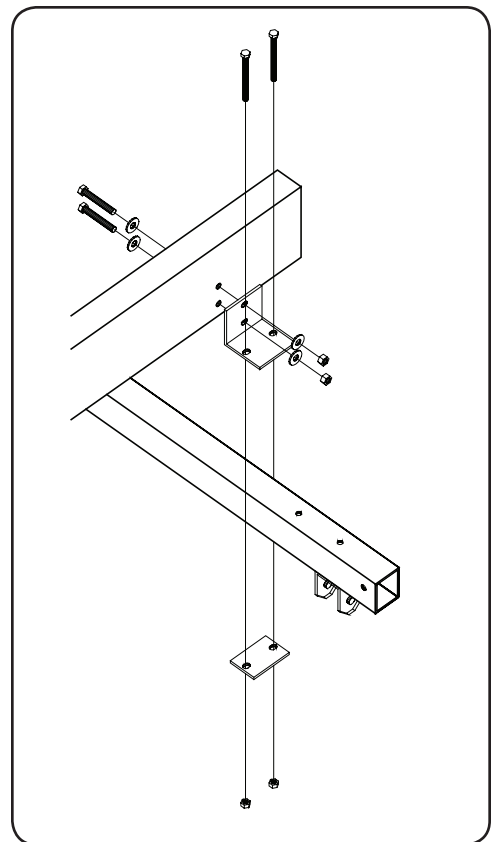
- 8 – 3/8 X 2 1/2 hex bolts
- 8 – 3/8 flat washers
- 8 – 3/8 lock nuts

The bolt heads and washers should be against the wood and the lock nuts against the angle.

Swing the cradles towards the rear of the lift and attach the boards to them with the backer plates using:

- 8 – 5/16 x 3 1/2 hex bolts
- 8 – 5/16 lock nuts

When tightening these bolts, make certain that the wood angles and the wood backer plates tighten flat against both the front and rear cradles.



9. final adjustments

gray cap 1.5" x 3"	2
red plastisol cap 1.25" x 1.5"	4

Now tighten all nuts and bolts, except the ones from Step 3 and 4 that must be free to allow the H-units to pivot.

Install the 6 plastisol caps, 2 at the top of the mainframe and 4 on the legs.

Move your lift into the water and adjust its legs so that the lift is level. Do this by removing the bolts, sliding the leg to the desired position, and then replacing the nuts and bolts.

Adjust the boards to the proper width for your craft and the installation is complete.

NOTE

Never over crank the winch. Once the lift has reached its highest point, further cranking will damage the lift.

hints

- A. Place your lift in the deepest water you can, your lift will operate most easily at the top of its lifting range.
- B. Deep V hulls may be accommodated by moving the front of the bunks closer together and leaving the back farther apart to provide stability.
- C. In deep water? If you have a deep lake and are in need of longer legs, LSP, Inc. offers 4 foot long legs for your PWC Lift. Ask your dealer for details or call us at 517.639.3815.
- D. Greasing the cable where it wraps around the winch drum will increase cable life.

important

- A. Grease the winch shaft annually. The red wheel must be able to thread and unthread easily in order for the braking mechanism to work properly.
- B. Your LSP PWC Lift will only protect your personal watercraft if the craft is lifted well above the level of the water. In larger lakes or during storms, large waves may lift the craft from the lift or tip the lift over, causing damage both to the craft and the lift. You must take precautions to protect your craft and lift from these conditions. If your craft suffers damage from high waves, LSP, Inc. will not accept responsibility for such damage.
- C. Inspect your lift often for signs of wear or improper operation. Be aware of normal cranking force. Any increase in cranking force is a sign that something is wrong. DO NOT USE the lift if any parts are worn or damaged, replace immediately.
- D. Pay attention to the condition of your cable. A frayed or rusted cable can lead to failure of the lift. Replace it immediately. Greasing the cable, especially where it enters the winch, can extend its life.
- E. A second caution decal is provided in the accessories box. If after assembly the decal is not easily seen then install the extra decal so that anyone using the lift can read it. NEVER let anyone operate the lift unless they are familiar with all safety rules.
- F. NEVER let anyone play on, around, or under the lift.

Ten/Two Year Limited Warranty

LSP, Inc. (Seller) warrants the aluminum structure on docks and lifts of its manufacture to be free from defects caused by faulty material or poor workmanship. Seller will, at its option, repair or replace any such goods found on examination by Seller, to be defective under normal use and service within ten years from date of purchase. Upon discovery of any such defect, Buyer must notify Seller in writing of defect and provide proof of purchase. Seller warrants cast aluminum parts, mechanical components, and hardware for two years.

Seller shall not be held responsible for repairs or modifications to its docks or lifts unless authorization has been obtained from Seller. This warranty does not cover damage caused by incorrect assembly or adjustments, overloading, improper use, neglected maintenance, alterations, or damage caused by accident, ice, salt water, or acts of God.

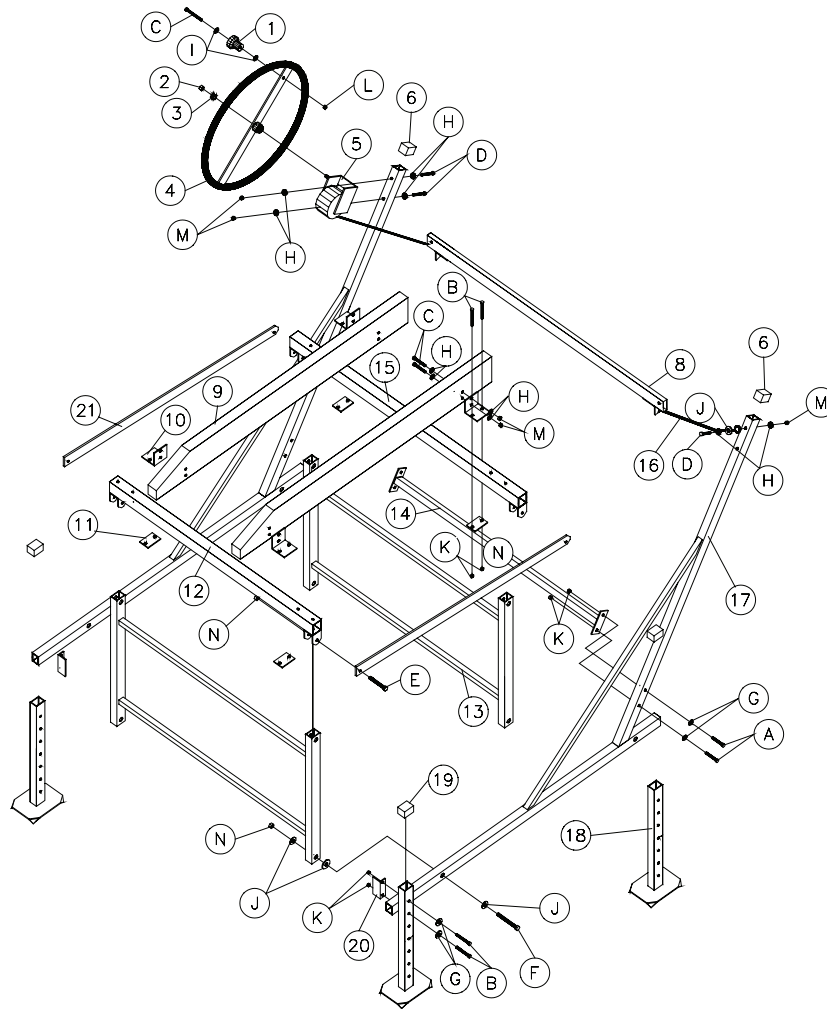
Components obtained from other manufacturers and used in Seller's products will be covered under the manufacturer's warranty and shall not be the responsibility of the Seller.

Seller's responsibility under this warranty shall be the repair or replacement of defective items. Seller is not liable for incidental or consequential damages of any kind.

accessory package 650

bolt package with steps 1-8	1
angle stops	2
wood angles	4
wood backer plates	4
800# DL winch and booklet	1
cable with loop in one end	1
1.5" x 3" gray caps	2
1.25" x 1.5" red plastisol caps	4

LSC650 800 lb, 50" Beam, 28" Lift Height.



PARTS LIST

REF.	PART NO.	PART NAME	QTY.
1	20552	Wheel Knob with Fastening Hardware	1
2/3	20498	Winch Hardware	1
4	LS1102	25" JL Wheel	1
5	20476D	Dutton-Lainson DLB-800 Winch	1
6	20462/CAPS1530	1 1/2" x 3" Plastisol Cap	2
8	20805/20682	Pulley Bar Assembly – Hardware Only	1
9	20424	Wood Bunk	2
10	20477	Wood Angle	4
11	20478	Wood Backer Plate	4
12	20749	Cradle	2
13	20752	H Unit	2
14	20751	Mainframe Spreader Tube	1
16	20419	Cable 3/16" x 204"	1
17	20455	Mainframe	2
18	20458	Leg	4
19	20461	1 1/4" x 1 1/2" Plastisol Cap	4
20	20447	Stop Angle	2
21	20576	Cradle Tie Bars	2

BOLT LIST

REF.	PART NO.	PART NAME	QTY.
A	Y310	5/16 x 2 1/2 Hex Bolt	4
B	Y314	5/16 x 3 1/2 Hex Bolt	16
C	Y410	3/8 x 2 1/2 Hex Bolt	9
D	Y416	3/8 x 4 Hex Bolt	3
E	Y514	1/2 x 3 1/2 Hex Bolt	4
F	Y518	1/2 x 4 1/2 Hex Bolt	4
G	Y352	5/16 Flatwasher	16
H	Y452	3/8 Flatwasher	14
I	X452	3/8 Stainless Flatwasher	2
J	Y552	1/2 Flatwasher	13
K	Y351	5/16 Lock Nut	20
L	Y450	3/8 Hex Nut	1
M	Y451	3/8 Lock Nut	11
N	Y551	1/2 Lock Nut	8