

LSC860D 800# Double Jet Lift

LAKESHORE PRODUCTS, INC.

Instruction Manual

Read carefully.

Failure to follow the instructions and
safety rules could result in severe injury
or death !!

LAKE SHORE PRODUCTS, INC.

Thank you for purchasing a Lakeshore Jet Lift. With proper care and maintenance, this lift will provide you with years of trouble free service. Please follow these instructions carefully.

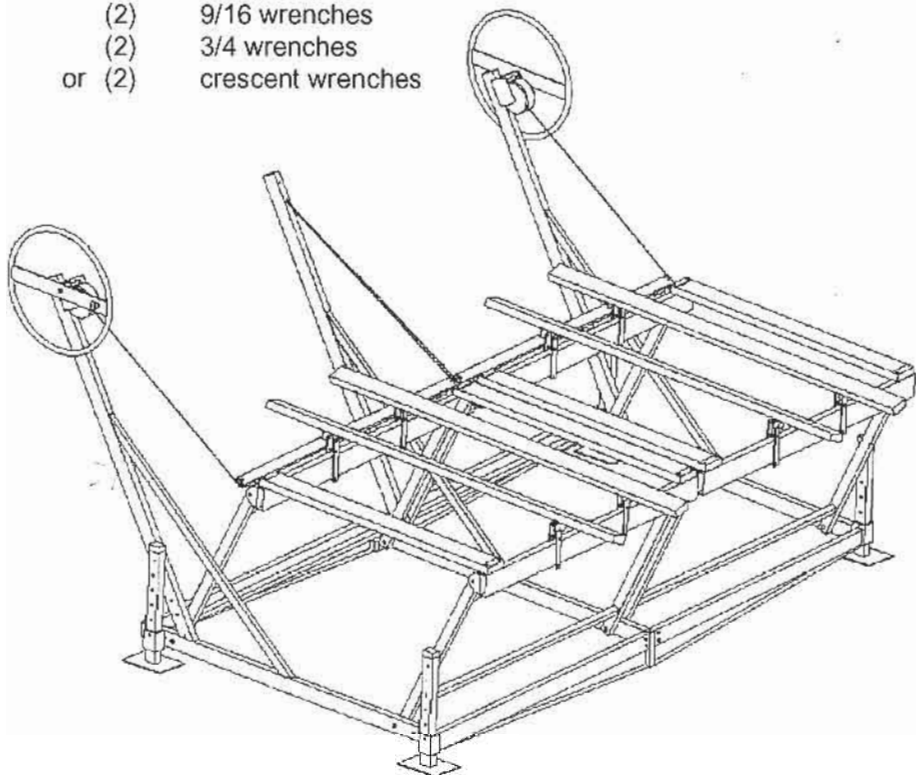
We have made assembly of your new lift as simple as possible. Each bolt pack is labeled to correspond to the steps listed in this manual. Below is a list of the components included in your accessory package.

Accessory Package List:

- (1) 1 package containing 6 step packs
- (4) 1 1/2 x 2 red plastisol caps
- (2) 1 1/2 x 3 red plastisol caps
- (1) 1 1/2 x 4 1/2 red plastisol cap
- (2) cables with loop in one end
- (2) 1200# D/L winches
- (2) winch hardware packages

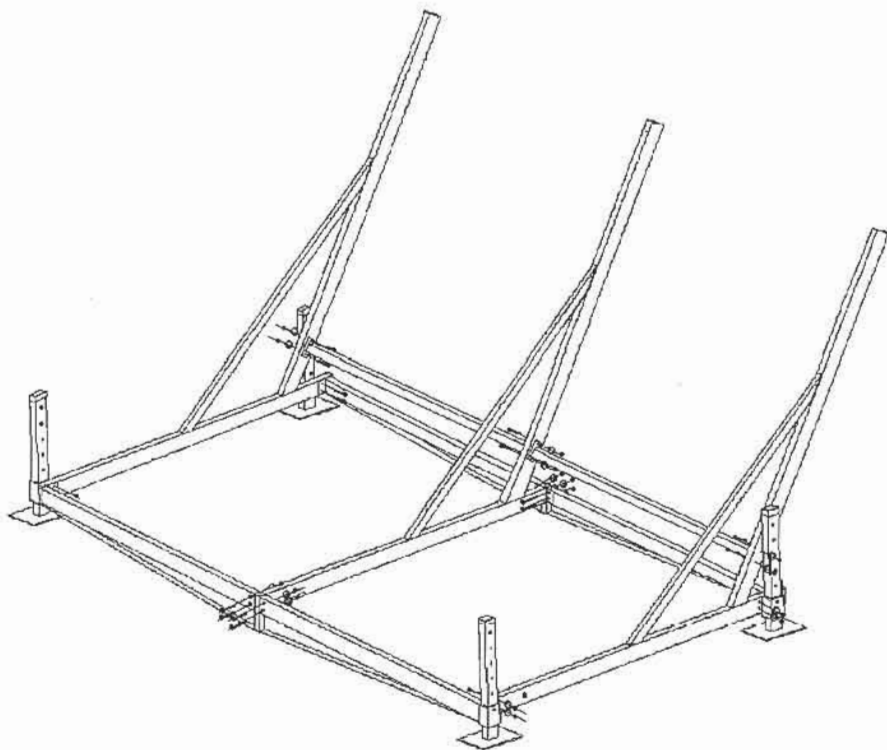
You will require the following tools:

- (2) 1/2 wrenches
- (2) 9/16 wrenches
- (2) 3/4 wrenches
- or (2) crescent wrenches



CAUTION Do not over tighten the nuts and bolts on your lift. Doing so may cause the lift to fail. When tightening against a tube, tighten until the aluminum just dimples. Lock nuts should be tightened until at least one thread of the bolt is showing through the nut. If you crush the tube, it may crack and fail under normal use.

1) Set up the Mainframes on a level area. Install the red plastisol caps on top of the Mainframe and the Legs.



2) Attach the mainframe truss spreader tube using:

- (16) 3/8 x 2-1/2 hex bolts
- (16) 3/8 lock nuts
- (8) 3/8 flat washers

Install the mainframe spreaders.

- (6) 3/8 x 2-1/2 hex bolts
- (6) 3/8 lock nuts
- (4) 3/8 flat washers

NOTE: The bolts in Step 3 and Step 4 are pivot points which allow the lift to go up and down. These bolts need to remain loose enough to allow the joint to pivot. Do not over tighten.

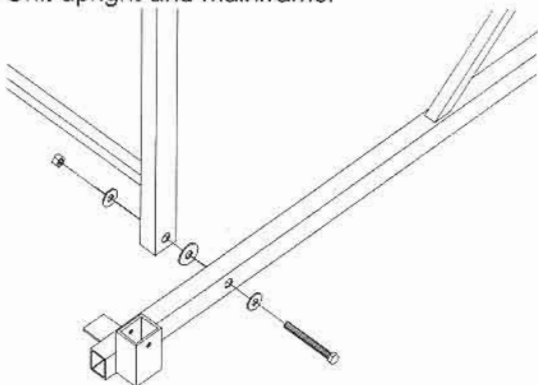
STEP 3: Install the H Units placing a washer under the head of each bolt, under each nut and between each H Unit upright and mainframe.

Outer Mainframes:

- (4) 1/2 x 4-1/2 hex bolts
- (4) 1/2 lock nuts
- (12) 1/2 flat washers

Middle Mainframe:

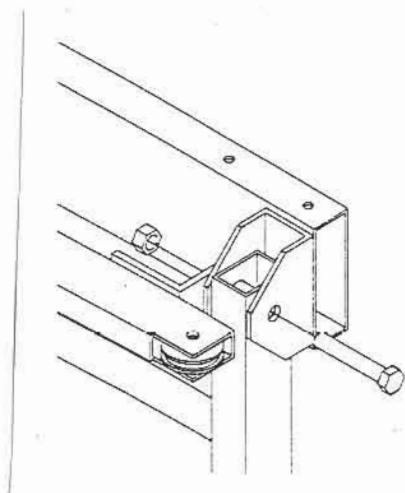
- (2) 1/2 x 6-1/2 hex bolts
- (2) 1/2 lock nuts
- (8) 1/2 flat washers



Place a washer under the head of the bolt, under the nut, and between the H Unit and the Mainframe.

STEP 4: Install pulley bar assembly and a cradle to the front H Unit and the other cradle to the rear H Unit using

- (8) 1/2 x 3-1/2 hex bolts
- (8) 1/2 lock nuts



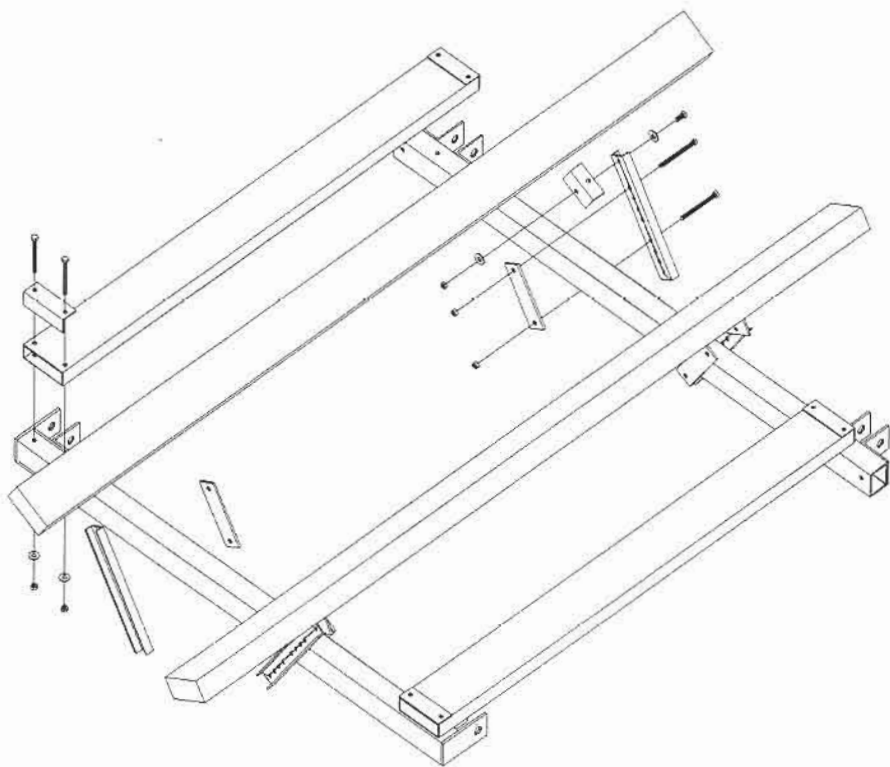
STEP 5: Attach the cradle spreader tubes between the cradles placing the angle caps over their ends.

- (16) 5/16 x 6-1/2 hex bolts
- (16) 5/16 lock nuts
- (16) 5/16 flat washers
- (8) angle caps

STEP 6: Attach the Carpeted Bunks to the Front and Rear Cradles using:

- (8) 5/16 x 1 hex bolts
- (16) 5/16 x 2-1/2 hex bolts
- (24) 5/16 lock nuts
- (8) bunk attachment channels
- (8) bunk backer plates

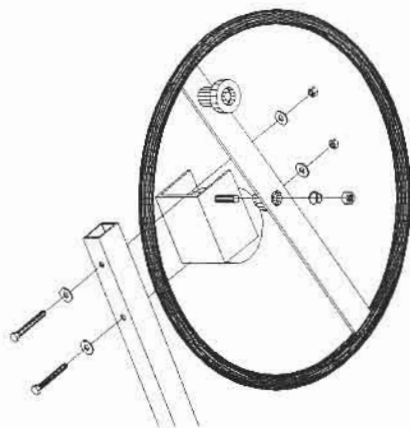
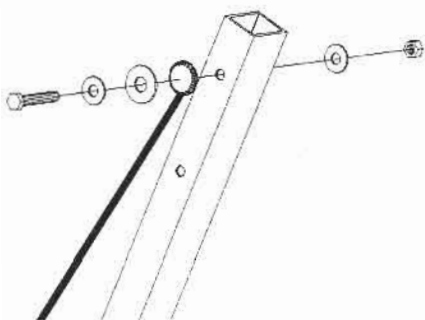
DO NOT TIGHTEN ANY BOLTS!!!



STEP 7:

Install the winches on the outside mainframes.

- (4) 3/8 x 4 hex bolts
- (4) 3/8 lock nuts
- (4) 3/8 flat washers



Bolt both cables to the center mainframe

- (1) 3/8 x 2-1/2 hex bolt
- (1) 3/8 lock nut
- (2) 3/8 flat washers
- (2) 1/2 flat washers

CAREFULLY thread the 25" wheel onto the winch and secure it with (1) winch spring and (1) jam lock nut. Please follow the winch instructions included with the winch.

NOTE: Extreme care should be taken not to crossthread and damage the threads on the wheel hub. This is not covered by warranty. Once the wheel is threaded on, you should hear the breaking mechanism click as you turn the wheel clockwise. If you do not hear the clicking sound, the wheel needs to be threaded farther onto the spindle.

String the twisted cables through the pulley bars and attach them to the winches, as described in the winch instruction sheet.

You may now tighten all of the nuts and bolts you have installed except the 1/2" pivot bolts in Step 3 and Step 4.

Be careful not to over tighten.

The final step before using your Jet-Lift is to install it. Move your lift into the water and adjust its legs so that it is level. **IT IS CRITICAL THAT THE CENTER MAINFRAME BE AT LEAST AS HIGH AS THE OUTER MAINFRAMES.** It is better to have the center mainframe too high than too low.

Adjust the legs by removing the clevis pin, sliding the leg to the desired position, and then replacing the clevis pin and S-bend cotter.

IMPORTANT

Your Lakeshore Jet Lift will only protect your personal watercraft if the craft is lifted well above the level of the water. In larger lakes or during storms, large waves may lift the craft from the lift or tip the lift over, causing damage both to the craft and the lift. You must take precautions to protect your craft and lift from these conditions. If your craft suffers damage from high waves, Lakeshore Products will not accept responsibility for such damage.

Inspect your lift often for signs of wear or improper operation. Be aware of normal cranking force. Any increase in cranking force is a sign that something is wrong.

Grease the winch shaft yearly. The red wheel must be able to thread and unthread easily in order for the braking mechanism to work properly.

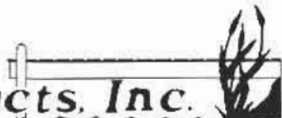
Pay attention to the condition of your cable. A frayed or rusted cable can lead to failure of the lift. Replace it immediately. Greasing the cable can extend its life.

SPECIAL NOTE: NEVER over crank the winch. Once the lift has reached its highest point, further cranking will damage the lift.

In Deep Water?

If you have a deep lake and are in need of longer legs, Lakeshore Products, Inc. offers 4 foot long legs for your Jet Lift. Ask your dealer for details or call us at (517) 639-3815.

Lakeshore Products, Inc.



Ten/Two Year Limited Warranty

Lakeshore Products, Inc. (Seller) warrants the aluminum structure on docks and lifts of its manufacture to be free from defects caused by faulty material or poor workmanship. Seller will, at its option, repair or replace any such goods found on examination by Seller, to be defective under normal use and service within ten years from date of purchase. Upon discovery of any such defect, Buyer must notify Seller in writing of defect and provide proof of purchase. Seller warrants cast aluminum parts, mechanical components, and hardware for two years.

Seller shall not be held responsible for repairs or modifications to its docks or lifts unless authorization has been obtained from Seller. This warranty does not cover damage caused by incorrect assembly or adjustments, overloading, improper use, neglected maintenance, alterations, or damage caused by accident, ice, salt water, or acts of God.

Components obtained from other manufacturers and used in Seller's products will be covered under the manufacturer's warranty and shall not be the responsibility of the Seller.

Seller's responsibility under this warranty shall be the repair or replacement of defective items. Seller is not liable for incidental or consequential damages of any kind.