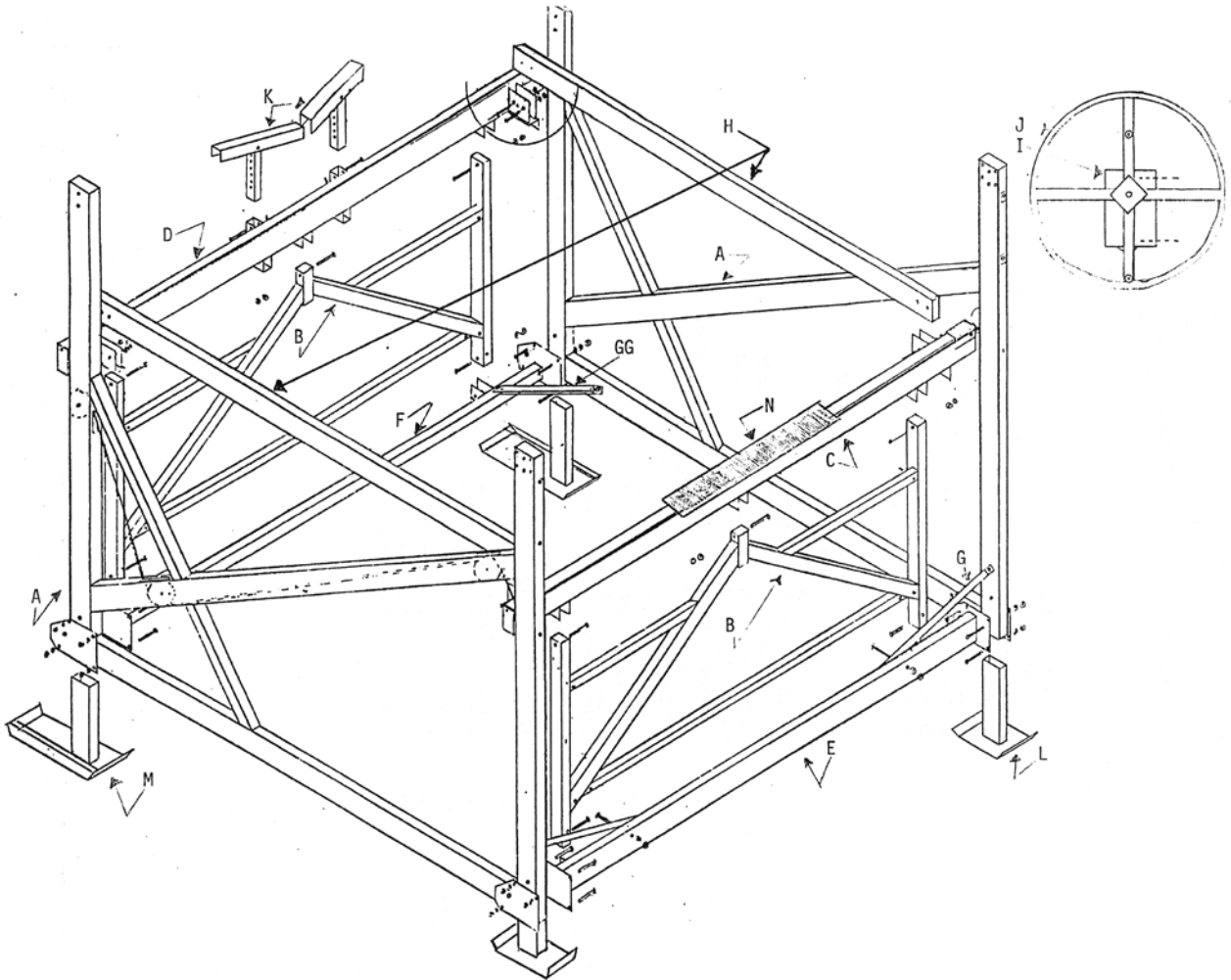


# ACL26



# ACL26

Cantilever Lift, 2600 lbs. Load Capacity, 108" Beam Width, 42" Lift Height, 275 lbs. Weight

## PARTS LIST

REF.	PART NO.	PART NAME	QTY.
A	26MF	Mainframe Assembly	2
B	26HU	H Unit	2
C	26CF	Front Cradle Unit	1
D	26CR	Rear Cradle Unit	1
E	26MSF	Mainframe Spreader Tube (front)*	1
F	26MSR	Mainframe Spreader Tube (rear)	1
G		24" Angle Braces	2
GG	BMFAB2	24" Back Braces	2
H	BCST4	Cradle Spreader Tube	2
I		Winch (with cover)	1
J		Wheel	1
K	20009	Adjustable Carpeted Bunks	2
L	26LUF	Front Adjustable Leg	2
M	26LUR	Rear Adjustable Leg (non-interchangeable)	2
N	BU35	Front Carpeted Bunk	1
	26C	Cable 1/4" x 61"	1

\*has holes for angle braces pre-drilled