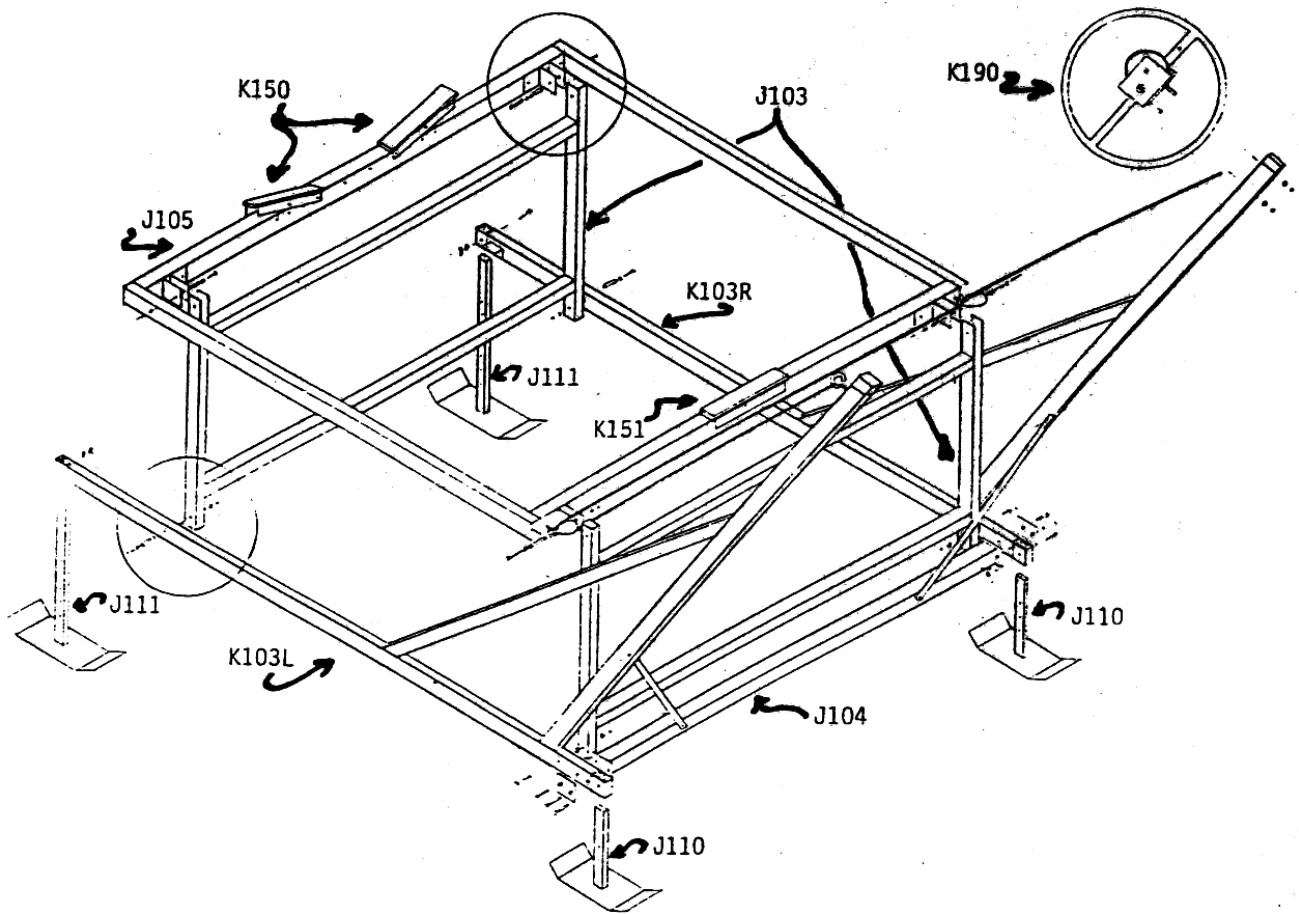


ACL8



ACL8 Cantilever Lift, 800 lbs. Load Capacity, 72" Beam Width, 42" Lift Height

PARTS LIST

REF.	PART NAME	QTY.
K103L	Left Mainframe	1
K103R	Right Mainframe	1
J104	Mainframe Spreader Tube	1
J103	H Unit	2
J105	Cradle	1
J110	12" Feet	2
J111	24" Feet	2
J150	12" Carpeted Bunks	2
J151	18" Carpeted Bunks	1
K190	24" Wheel (shipped as a single package)	1

BOLT LIST

PART NAME	QTY.
3/8" x 2 1/4" SS Bolt	4
3/8" x 3" SS Hex Bolt	5
3/8" x 3" SS Flat Washer	2
3/8" x 3" SS Lock Nut	5
1/2" x 3" Eyebolts with Shackles & Pulleys	2

} Attach bunks

ACCESSORY PACKAGE

PART NAME	QTY.
1/2" x 5" Hex SS Bolt	4
1/2" x 3 1/2" Hex SS Bolt	4
3/8" x 3" Hex SS Bolt	4
3/8" x 2 1/2" Hex SS Bolt	4
3/3" x 3 1/2" Hex SS Bolt	2
3/4" SS Flat Washer	4
1/2" SS Flat Washer	16
3/8" SS Flat Washer	12
1/2" SS Nylon Lock Nut	8
3/4" SS Flat Washer	4
1 1/2" Red Plastic Cap	4
2 1/2" Red Plastic Cap	2
800# Dutton-Lainson Winch (with special hole drilled)	1
22' Cable - 3/16" with 1/2" x 3" Eyebolt	1
1/4" x 4" x 2 1/2" Flat Aluminum 2-Bolt Backer Plates	2
24" Angle Braces (1 left, 1 right)	2
3/4" O.D. x 3 3/4" Aluminum Tube Spacers	4
3/4" O.D. x 2 1/2" Aluminum Tube Spacers	4