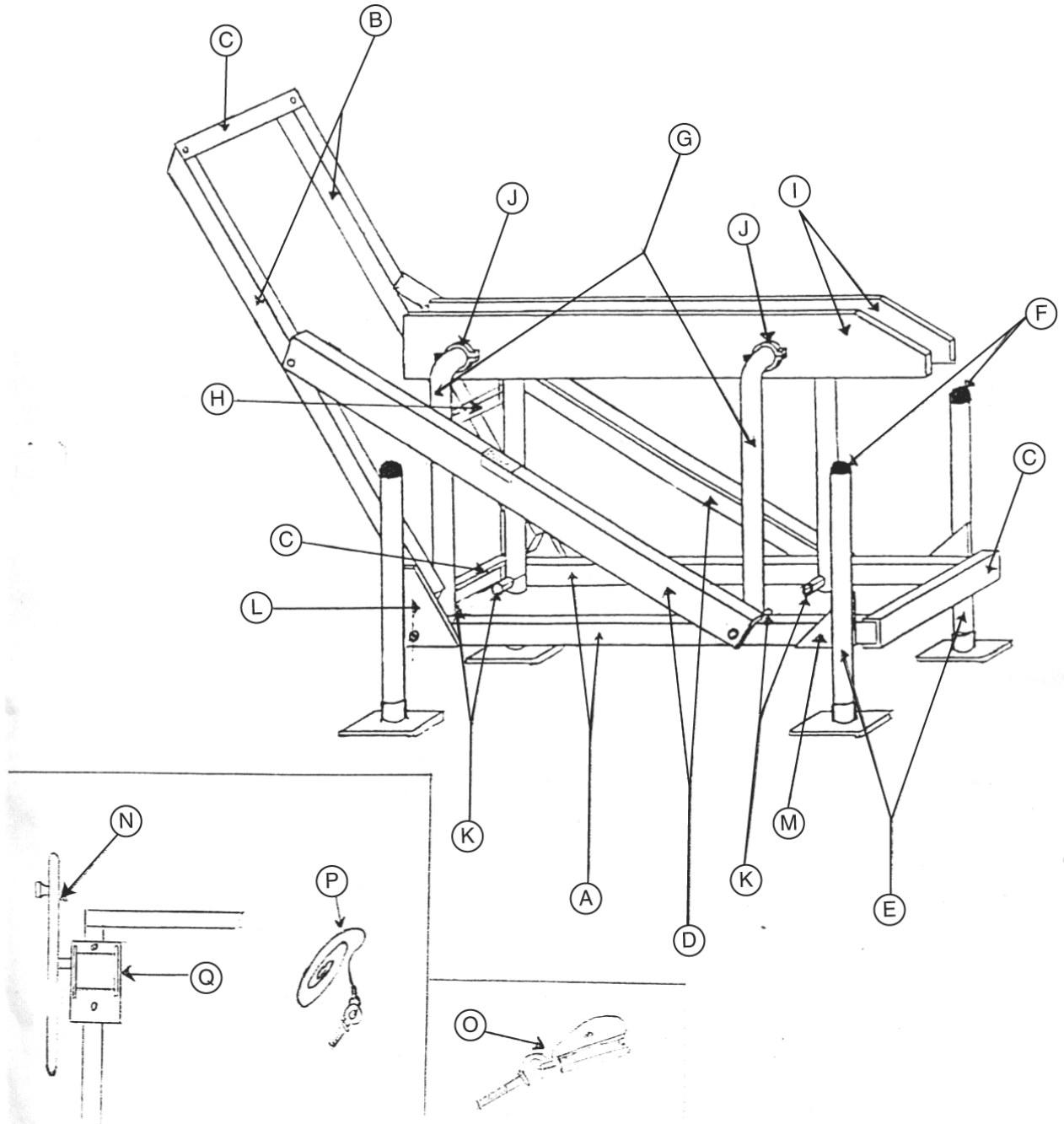


JL



JL PWC Lift, 650 lbs. Load Capacity, 48" Beam Width, 20" Lift Height

PARTS LIST

REF.	PART NO.	PART NAME	QTY.
A	JL001	64" Rectangular Tube	2
B	JL002	60" Rectangular Tube	2
C	JL003	48" Channel Cross Tie	3
D	JL004	64" Angle Support	2
E	2P2S/BP	24" Leg w/ Pad	4
F	PPC2	Plastic Leg Cup	4
G	JL007	Horse Shoe Upright	2
H	JL008	45" Angle Cross Brace	1
I	JL009	Wood Bunk	2
J	JL010	Collar Stop	16
K	JL011	Axle Shaft	4
L	JL012	Front Gusset	2
M	JL013	Rear Gusset	2
N	20552	Wheel Knob with Fastening Hardware	1
O	20682	Pulley Hardware	1
P	JLCABLE1	Eyebolt and Cable	1
Q	20476D	800# Winch	1

BOLT LIST

PART NO.	PART NAME	QTY.
Y307C	5/16 x 1-3/4 Carriage Bolt	6
Y307	5/16 x 1-3/4 Hex Bolt	16
Y314	5/16 x 3 1/2 Hex Bolt	2
Y351	5/16 Hex Nylon Locknut	24
Y352	5/16 Flatwasher	42
Y403	3/8 x 3/4 Hex Bolt	8
Y407	3/8 x 1-3/4 Hex Bolt	4
Y409	3/8 x 2 1/4 Hex Bolt	8
X412	3/8 x 3 Hex Bolt	4
Y415	3/8 x 3 3/4 Hex Bolt	4
Y418	3/8 x 4 1/2 Hex Bolt	4
Y450	3/8 Hex Nut	26
Y452	3/8 Flatwasher	33