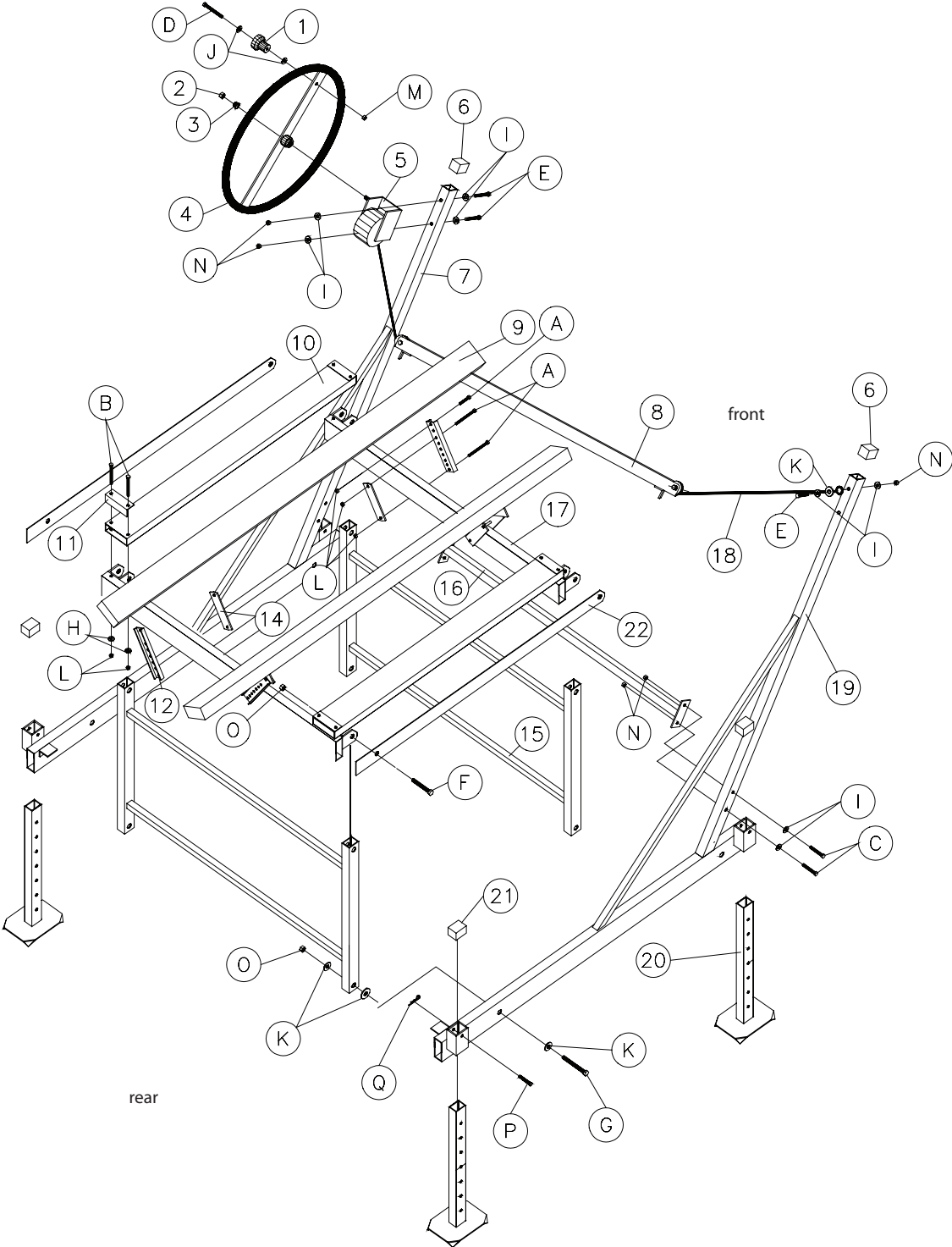


LSC1264



LSC1264 PWC Lift, 1200 lbs. Load Capacity, 64" Cradle Width, 35" Lift Height

PARTS LIST

REF.	PART NO.	PART NAME	QTY.
1	20552	Wheel Knob with Fastening Hardware	1
2/3	20498	Winch Hardware	1
4	LS1102	25" JL Wheel	1
5	JLDWINCHD	Dutton-Lainson DLB-1500 Winch	1
6	20462/CAPS1530	1 1/2" x 3" Plastisol Cap	2
7	20874	Left Mainframe	1
8	20815/20682	Pulley Bar Assembly/Hardware Only	1/1
9	20420	Carpeted Bunk	2
10	20436	Cradle Spreader Tube	2
11	20463	Cradle End Cap	4
12	20501	Bunk Adjustment Channel	4
14	20502	Bunk Backer Plate	4
15	20817	H Unit	2
16	20818	Mainframe Spreader Tube	1
17	20816	Cradle	2
18	20464	Cable 3/16" x 252"	1
19	20875	Right Mainframe	1
20	JLU	Leg	4
21	DEM12/CAPS1520	1 1/2" x 2" Plastisol Cap	4
22	20576	Cradle Tie Bar	2

BOLT LIST

REF.	PART NO.	PART NAME	QTY.
A	Y304	5/16 x 1 Hex Bolt	4
A	Y310	5/16 x 2 1/2 Hex Bolt	8
B	Y326	5/16 x 6 1/2 Hex Bolt	8
C	Y410	3/8 x 2 1/2 Hex Bolt	4
D	Y410	3/8 x 2 1/2 Hex Bolt	1
E	Y416	3/8 x 4 Hex Bolt	3
F	Y514	1/2 x 3 1/2 Hex Bolt	4
G	Y518	1/2 x 4 1/2 Hex Bolt	4
H	Y352	5/16 Flatwasher	8
I	Y452	3/8 Flatwasher	10
J	X452	3/8 Stainless Flatwasher	2
K	Y552	1/2 Flatwasher	13
L	Y351	5/16 Lock Nut	20
M	Y450	3/8 Hex Nut	1
N	Y451	3/8 Lock Nut	7
O	Y551	1/2 Lock Nut	8
P	CP	3/8 x 2 1/2 Clevis Pin	4
Q	HPC	Cotter	4