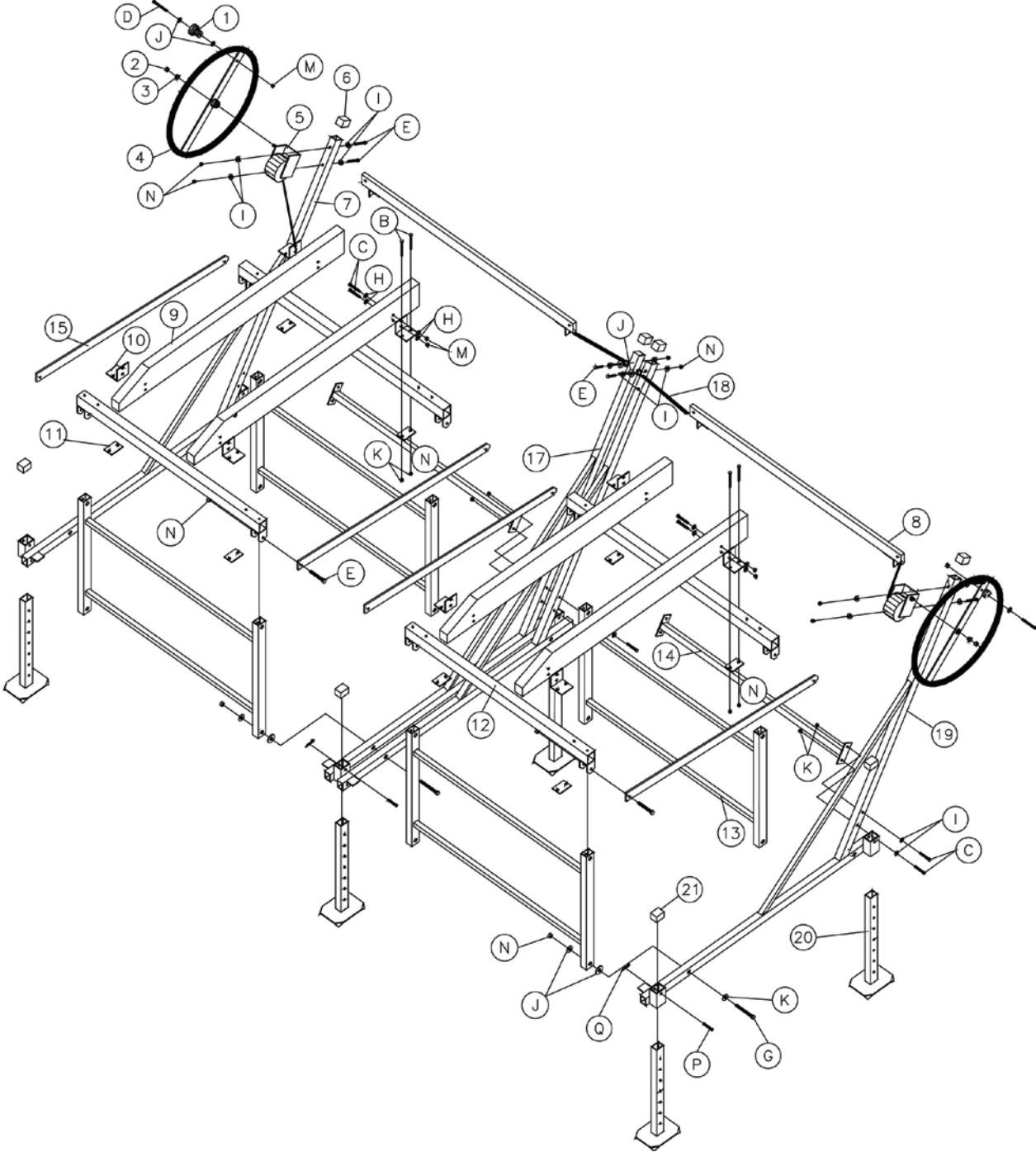


# LSC750D



# LSC750D PWC Lift, 750 lbs. Load Capacity, (2) 50" Beams, 28" Lift Height

## PARTS LIST

REF.	PART NO.	PART NAME	QTY.
1	20552	Wheel Knob with Fastening Hardware	2
2/3	20498	Winch Hardware	2
4	LS1102	25" JL Wheel	2
5	20418D	Dutton-Lainson DLB-1200 Winch	2
6	20462/CAPS1530	1 1/2" x 3" Plastisol Cap	4
7	20397	Left Mainframe	1
8	20750/20682	Pulley Bar Assembly/Hardware Only	2/4
9	20424	Wood Bunk	4
10	20477	Wood Angle	8
11	20478	Wood Backer Plate	8
12	20749	Cradle	4
13	20752	H Unit	4
14	20751	Mainframe Spreader Tube	2
15	20576	Cradle Tie Bars	4
17	20755	Mainframe Center	1
18	20419	Cable 3/16" x 204"	2
19	20398	Right Mainframe	1
20	JLU	Leg	6
21	DEM12/CAPS1520	1 1/2" x 2" Plastisol Cap	6

## BOLT LIST

REF.	PART NO.	PART NAME	QTY.
A	Y310	5/16 x 2 1/2 Hex Bolt	8
B	Y326	5/16 x 3 1/2 Hex Bolt	32
C	Y410	3/8 x 2 1/2 Hex Bolt	18
D	Y416	3/8 x 4 Hex Bolt	6
E	Y514	1/2 x 3 1/2 Hex Bolt	8
F	Y519	1/2 x 4 1/2 Hex Bolt	8
G	Y352	5/16 Flatwasher	32
H	Y452	3/8 Flatwasher	28
I	X452	3/8 Stainless Flatwasher	4
J	Y552	1/2 Flatwasher	26
K	Y353	5/16 Lock Nut	40
L	Y450	3/8 Hex Nut	2
M	Y451	3/8 Lock Nut	22
N	Y551	1/2 Lock Nut	16