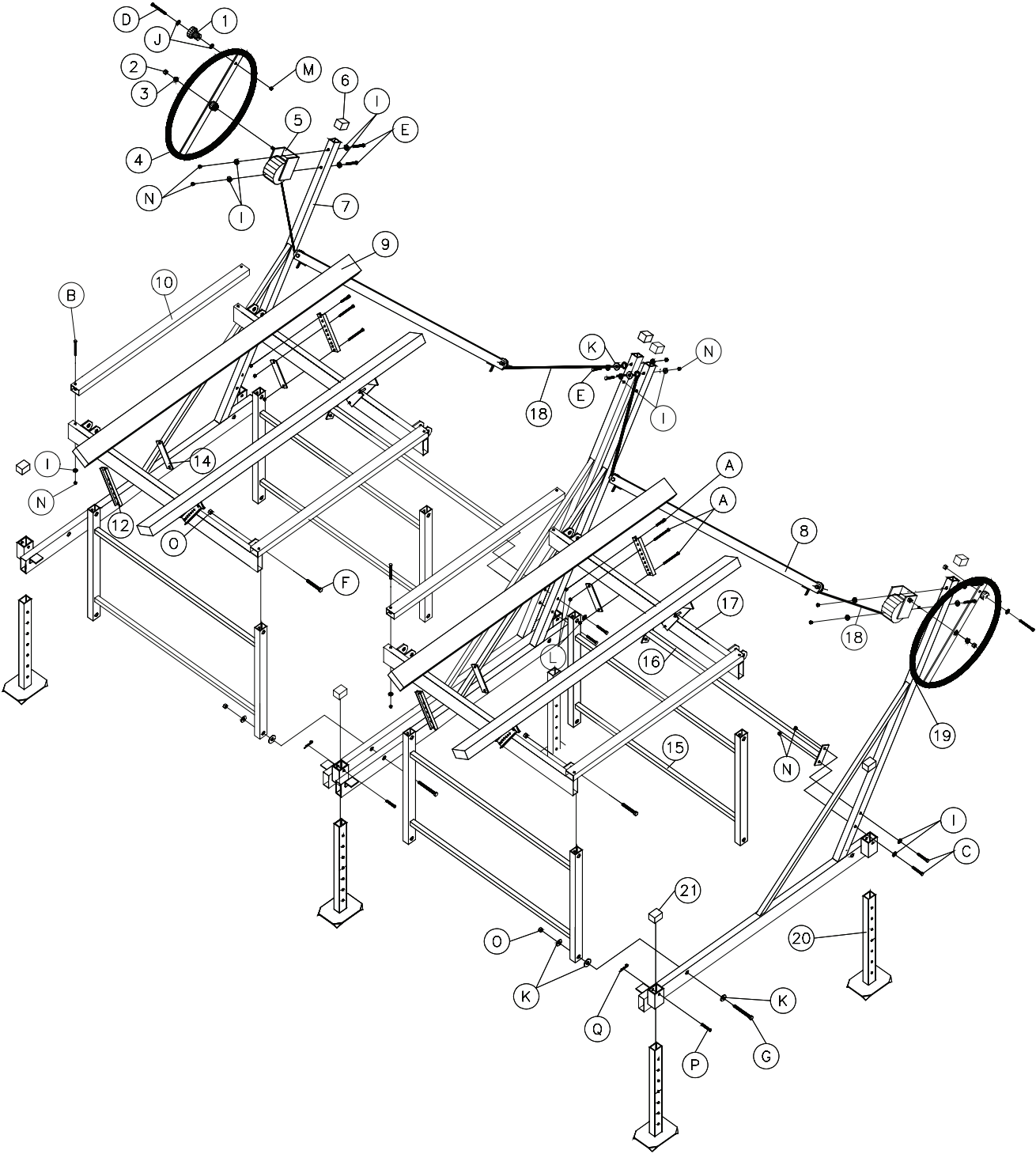


LSC850D



LSC850D PWC Lift, 800 lbs. Load Capacity, 50" Beams (Double), 28" Lift Height

PARTS LIST

| REF. | PART NO. | PART NAME | QTY. |
|------|-------------|---------------------------------------|------|
| 1 | 20552 | Wheel Knob | 2 |
| 2/3 | 20498 | Winch Hardware | 2 |
| 4 | LS1102 | 25" JL Wheel | 2 |
| 5 | 20418D | Dutton-Lainson DLB-1200 Winch | 2 |
| 6 | CAPS1530 | 1 1/2" x 3" Cap | 4 |
| 7 | 20397 | Left Mainframe | 1 |
| 8 | 20805/20682 | Pulley Bar Assembly/ Hardware Only | 2/2 |
| 9 | 20420 | Carpeted Bunk | 4 |
| 10 | 21006 | Cradle Spreader Tube | 4 |
| 12 | 20501 | Bunk Adjustment Channel | 8 |
| 14 | 20502 | Bunk Backer Plate | 8 |
| 15 | 20752 | H Unit | 4 |
| 16 | 20751 | Mainframe Spreader Tube | 2 |
| 17 | 21005 | Cradle | 4 |
| 18 | 20419 | Cable 3/16" x 216" | 2 |
| 19 | 20398 | Right Mainframe | 1 |
| 20 | JLU | Leg | 6 |
| 21 | CAPS1520 | 1 1/2" x 2" Cap | 6 |

BOLT LIST

| REF. | PART NO. | PART NAME | QTY. |
|------|----------|--------------------------|------|
| A | Y304 | 5/16 x 1 Hex Bolt | 8 |
| A | Y310 | 5/16 x 2 1/2 Hex Bolt | 16 |
| B | Y428 | 3/8 x 7 Hex Bolt | 8 |
| C/D | Y410 | 3/8 x 2 1/2 Hex Bolt | 10 |
| E | Y416 | 3/8 x 4 Hex Bolt | 6 |
| F | Y514 | 1/2 x 3 1/2 Hex Bolt | 8 |
| G | Y518 | 1/2 x 4 1/2 Hex Bolt | 8 |
| I | Y452 | 3/8 Flatwasher | 24 |
| J | X452 | 3/8 Stainless Flatwasher | 4 |
| K | Y552 | 1/2 Flatwasher | 26 |
| L | Y351 | 5/16 Lock Nut | 24 |
| M | Y450 | 3/8 Hex Nut | 2 |
| N | Y451 | 3/8 Lock Nut | 14 |
| O | Y551 | 1/2 Lock Nut | 16 |
| P | CP | 3/8 x 2 1/2 Clevis Pin | 6 |
| Q | HPC | Hair Pin Cotter | 6 |