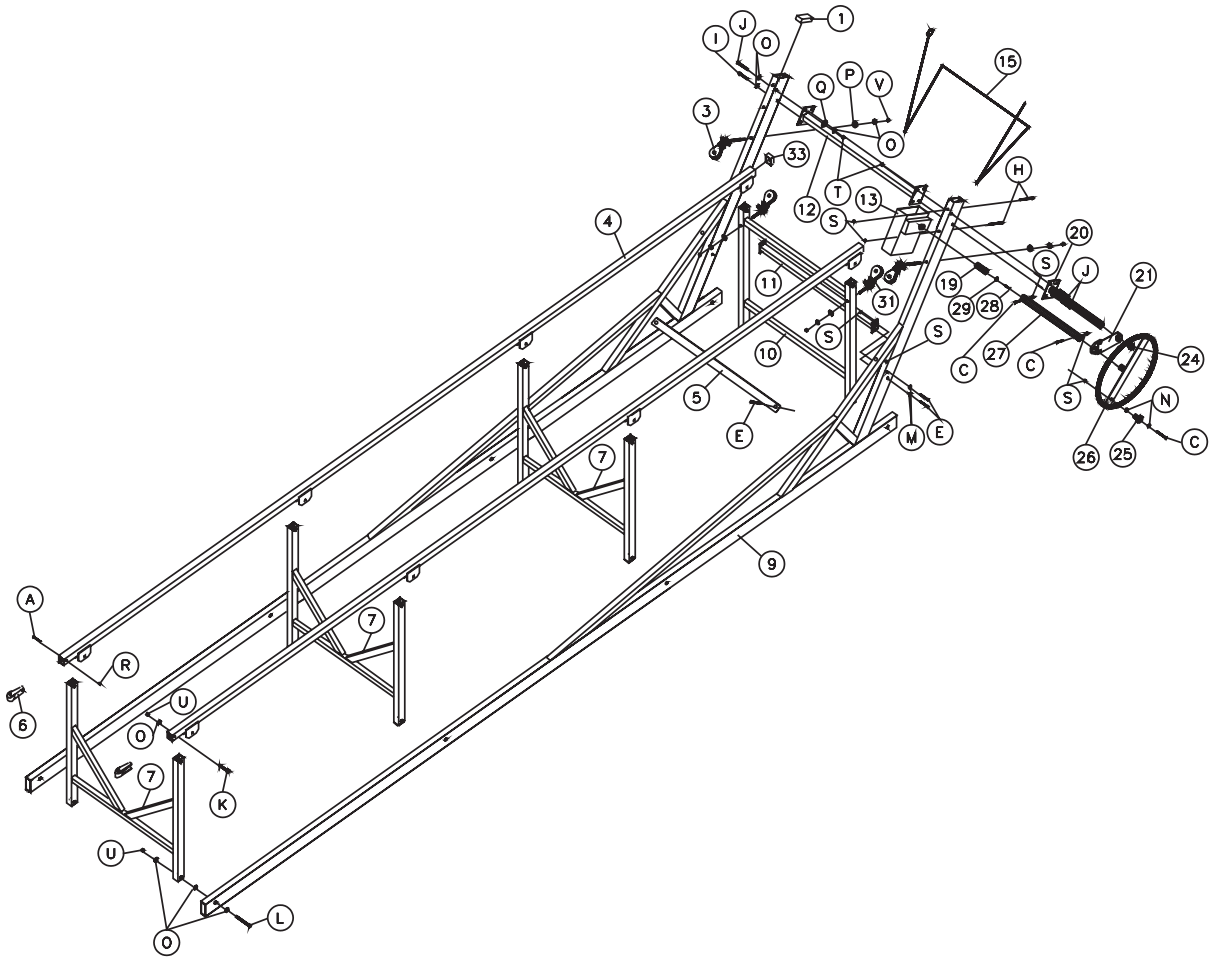


LSP16H • LSP21H • LSP24H • LSP28H



LSP16H • LSP21H • LSP24H • LSP28H

PARTS LIST

REF.	PART NO.	PART NAME	QTY.
1	DEM25	2" x 5" Plastisol Cap	2
3	PUL6	6" Eyebolt Pulley	2
4	20390/20391/20392/20393*	Cradle Weld Assembly	2
5	20876	Stop Bar	1
6	PRK	Pontoon Roller Kit	2
7	20590	Rear V-unit	2/3/3/4*
9	20159/20161/20163/20389*	Mainframe	2
10	20583	Front H-unit	1
11	20581	Spreader Tube Lower	1
12	20579	Spreader Tube Upper	1
13	W5	3500 lb. Winch	1
15	20640	Cable 1/4" x 37'	1
19	WSL	Winch Shaft Adapter	1
20	20111	Wheel Support Tube	1
21	20888	Wheel Support Assembly	1
24	PPCI	Post Cap	1
25	20552	Wheel Knob with Fastening Hardware	1
26	LS3004	32" Pontoon Wheel	1
27	20021	Wheel Extension Tube	1
28	Y304	5/16" x 1" Hex Bolt	1
29	X452	3/8 Washer	1
31	PUL3	3" Pulley Kit	2
33	DEM22	2" x 2 1/2" Plastisol Cap	2

BOLT LIST

REF.	PART NO.	PART NAME	QTY.
A	Y310	5/16 X 2 1/2 Hex Bolt	2
C	Y410	3/8 X 2 1/2 Hex Bolt	3
E	Y412	3/8 X 3 Hex Bolt	6
H	Y426	3/8 X 6 1/2 Hex Bolt	2
I	Y512	1/2 X 3 Hex Bolt	1
J	Y514	1/2 X 3 1/2 Hex Bolt	3
K	Y514C*	1/2 X 3 1/2 Carriage Bolt	6/8/8/10
L	Y522*	1/2 X 5 1/2 Hex Bolt	6/8/8/10
M	Y452	3/8 Flat Washer	8
N	X452	3/8 Stainless Flat Washer	2
O	Y552*	1/2 Flat Washer	31/39/39/47
P	Y752	5/8 Flat Washer	4
Q	Y652	3/4 Flat Washer	4
R	Y351	5/16 Lock Nut	2
S	Y450	3/8 Hex Nut	14
T	Y550	1/2 Hex Nut	4
U	•Y551	1/2 Lock Nut	16/20/20/24
V	G550	1/2 Galvanized Hex Nut	4

* LSP16H/LSP21H/LSP24H/LSP28H