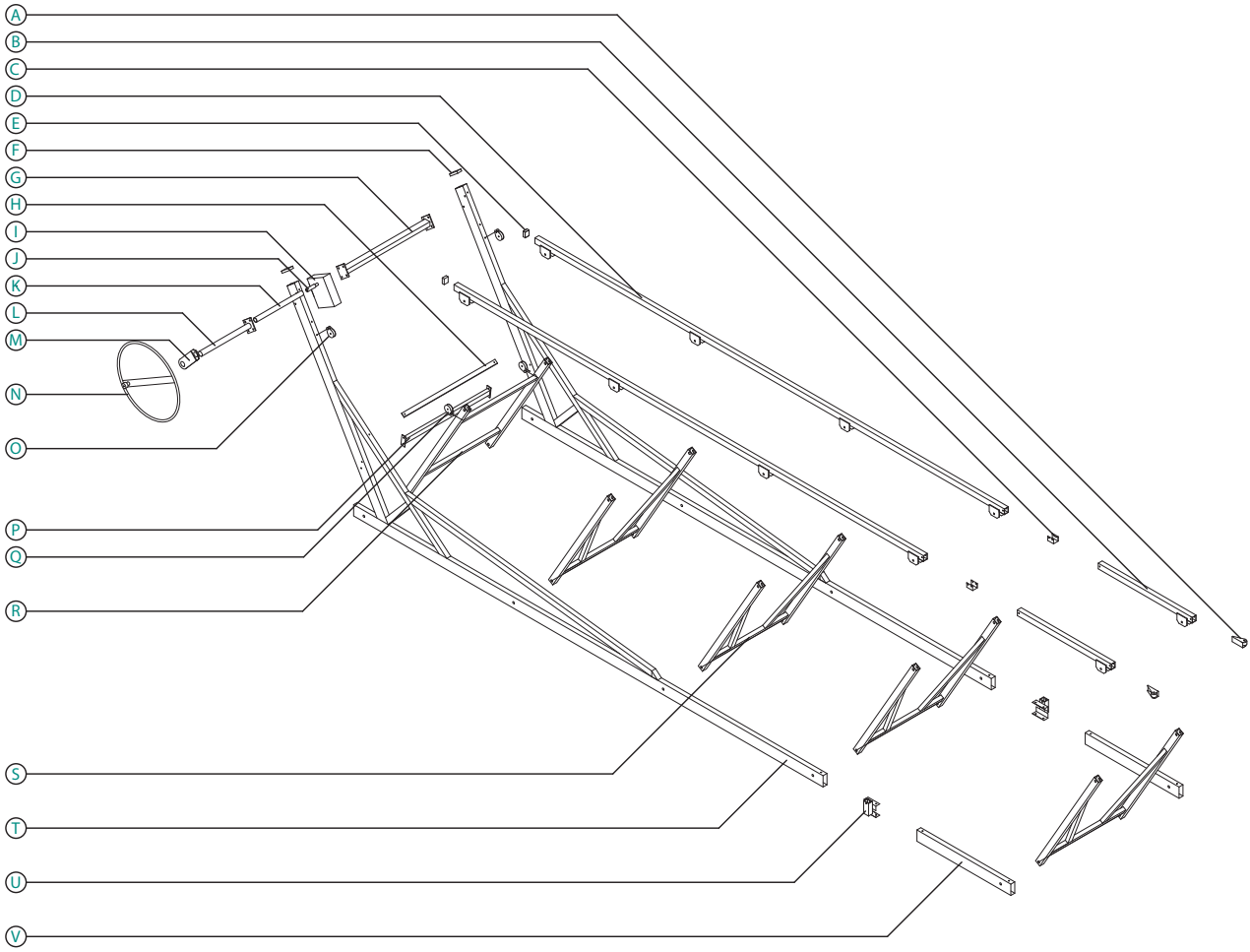


LSP20H + LSPO4H Cantilever Pontoon Lift



LSP20H + LSPO4H Cantilever Pontoon Lift

PARTS LIST

REF.	PART NO.	PART NAME	QTY.
A	PRK	pontoon cradle roller kit	2
B	21080	cradle extension 4'	2*
C	21079	cradle connector	2*
D	21078	cradle weld assy 20'	2
E	CAPS2025	2" x 2 1/2" cap	2
F	CAPS2050	2" x 5" cap	2
G	20579	upper spreader tube	1
H	20876	stop bar	1
I	W5	3500 lb. winch	1
J	WSL	winch shaft adapter	1
K	20021	wheel extension tube	1
L	20111	wheel support tube	1
M	20888	wheel support assembly	1
N	LS3004	32" pontoon wheel	1
O	PUL6	6" pulley kit	2
P	20581	lower spreader tube	1
Q	PUL3	3" pulley kit	2
R	20583	front H-unit	1
S	20590	rear V-unit	3+1*
T	21075	mainframe 20'	2
U	21076	mainframe connector	2*
V	21077	mainframe extension 4'	2*
	20640	cable 1/4" x 37' (not shown)	1

BOLT LIST BP2124PL

PART NO.	PART NAME	QTY	PART NO.	PART NAME	QTY
20711	STEP 1		20918	STEP 4	
X412	3/8" x 3" hex bolt	4	X512	1/2" x 3" hex bolt	1
Z451	3/8" hex lock nut	4	X514	1/2" x 3 1/2" hex bolt	3
X452	3/8" flat washer	4	Z551	1/2" hex lock nut	4
20716	STEP 2		X552	1/2" flat washer	3
X514C	1/2" x 3 1/2" carriage bolt	8	20719	STEP 5	
Z551	1/2" hex lock nut	8	X428	3/8" x 7" hex bolt	2
X552	1/2" flat washer	8	Z451	3/8" hex lock nut	2
20713	STEP 3		X452	3/8" flat washer	2
X314	5/16" x 3 1/2" hex bolt	2	X552	1/2" flat washer	4
Z351	5/16" hex lock nut	2			
X522	1/2" x 5 1/2" hex bolt	8			
Z551	1/2" hex lock nut	8			
X552	1/2" flat washer	24			