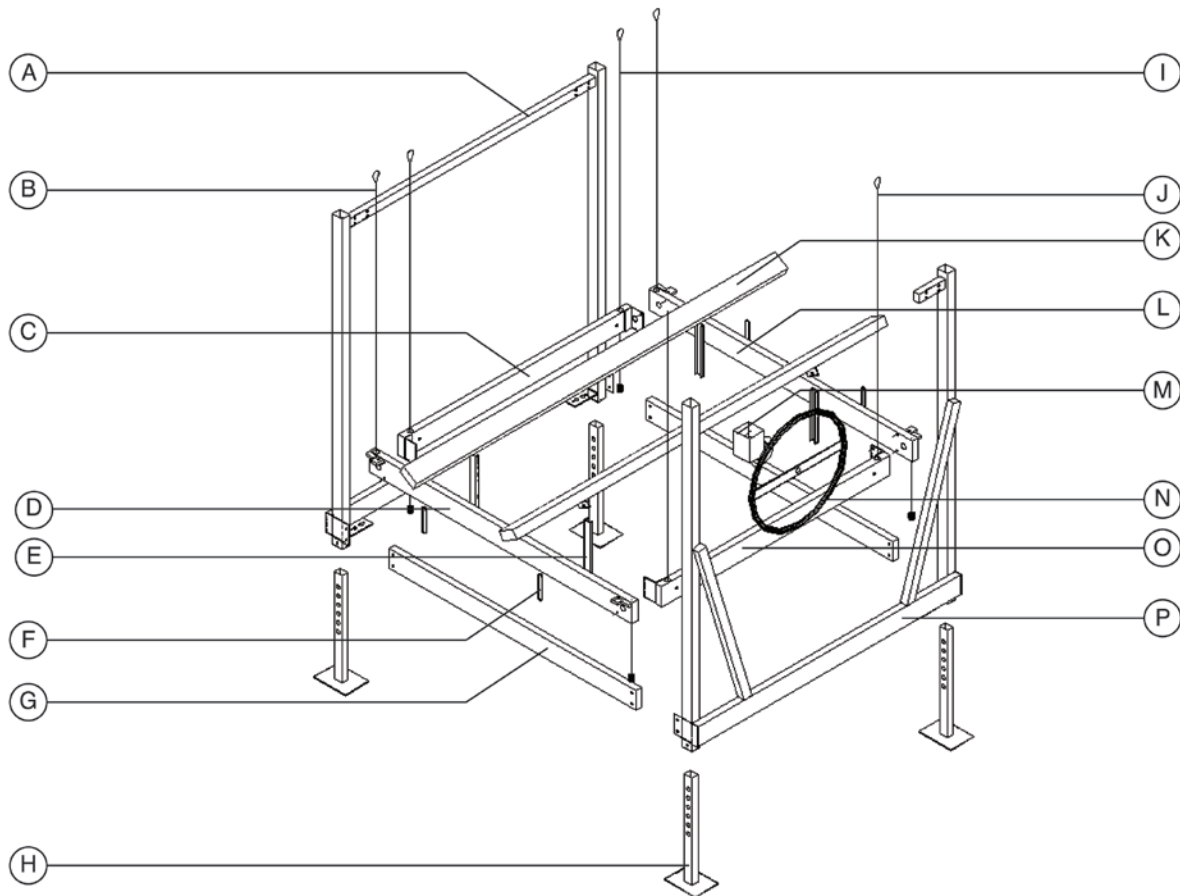


# LSV1364 Vertical PWC Lift, 1300 lbs. Load Capacity, 64" Beam Width, 61" Lift Height



## PARTS LIST

REF.	PART NO.	PART NAME	QTY.
A	20953	right mainframe	1
B	20974	transfer cable	2
C	20956	leveling spreader	1
D	20955F	front cradle	1
E	20501	bunk adjustment channel	4
F	20502	channel backer plate	4
G	20954	mainframe spreader	2
H	JLU	leg	4
I	20975	leveling cable	2
J	20973	lift cable	1
K	20957	bunk assembly	2
L	20955R	rear cradle	1
M	JLDWINCHD	1500# winch	1
N	LS1102	25" wheel	1
O	20956	lift spreader	1
P	20952	left mainframe (winch)	1

## LSV1364 BOLT PACKAGE

20970	STEP 2	
Y422	3/8" x 5 1/2" hex bolt	8
Y452	3/8" flat washer	16
Y451	3/8" nylon lock nut	8
20971	STEP 3	
Y414	3/8" x 3 1/2" hex bolt	2
Y451	3/8" nylon lock nut	2
Y452	3/8" flat washer	4
20498	winch hardware	1
20981	washer large aluminum	2
20972	STEP 5	
Y310	5/16" x 2 1/2" hex bolt	8
Y352	5/16" flat washer	16
Y351	5/16" nylon lock nut	8
20980	STEP 7	
Y408	3/8" x 2" hex bolt	5
Y451	3/8" nylon lock nut	5
CP9	5/8" clevis pin	4
HPC	hairpin cotter	4
20637	STEP 8	
Y304	5/16" x 1" hex bolt	4
Y310	5/16" x 2 1/2" hex bolt	8
Y351	5/16" nylon lock nut	12