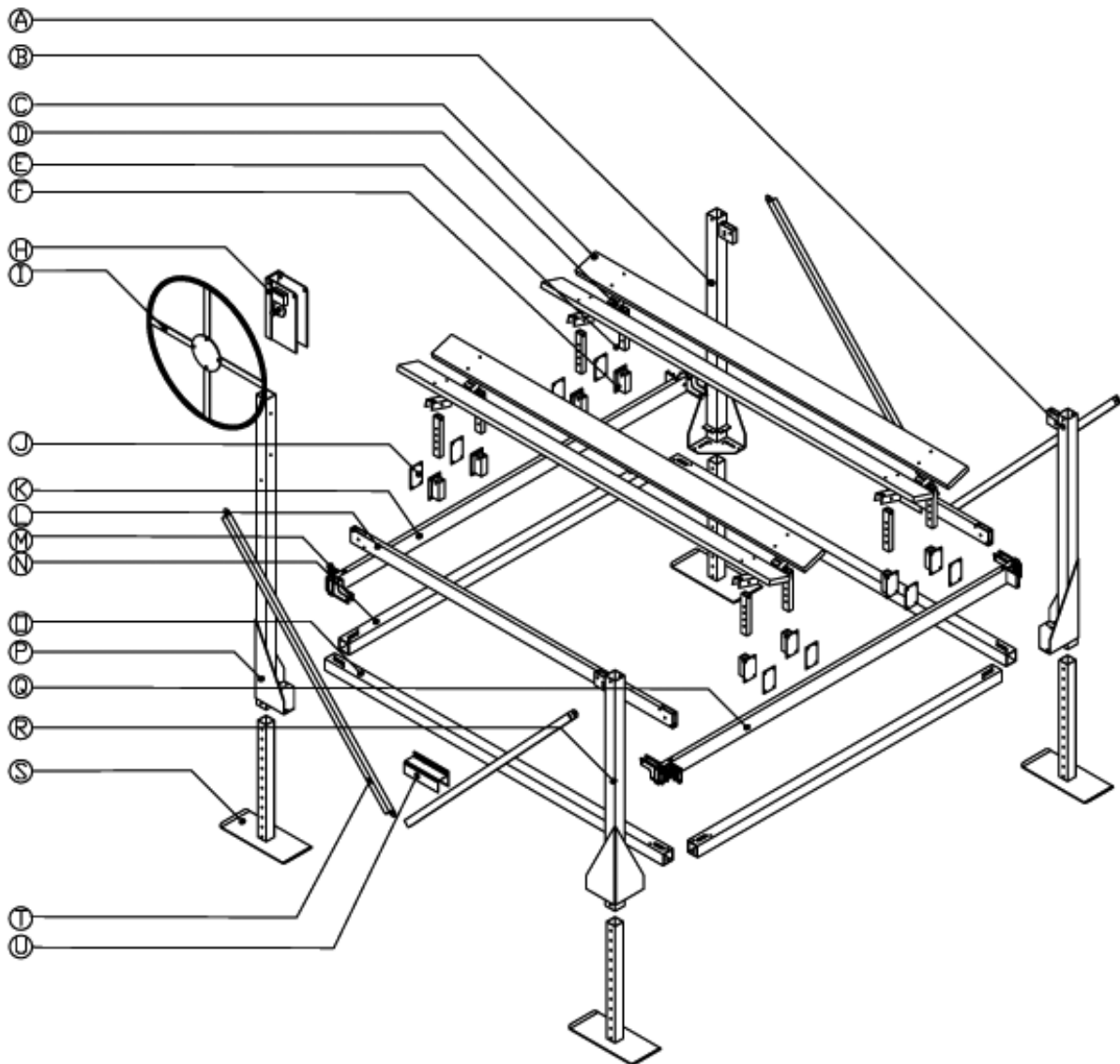


LSV30/40/50120BP

BOLT LIST

PART NO.	PART NAME	QTY.	PART NO.	PART NAME	QTY.
20848	STEP 1		Y508	1/2" x 2" Hex Bolt	2
Y418	3/8" x 4 1/2" Hex Bolt	16	Y551	1/2" Hex lock nut	2
Y451	3/8" Hex lock nut	16	SHACKLE	3/8" shackle	2
Y452	3/8" Flat Washer	16	20851	STEP 4	
CP1	3/8 x 4" bent clevis pin	4	Y410	3/8" x 2 1/2" Hex Bolt	4
HPC	1/8" hairpin cotter	4	Y451	3/8" Hex lock nut	4
20849	STEP 2		Y508	1/2" x 2" Hex Bolt	2
Y420	3/8" x 5" Hex Bolt	2	Y551	1/2" Hex lock nut	2
Y451	3/8" Hex lock nut	2	SHACKLE	3/8" shackle	2
Y508	1/2" x 2" Hex Bolt	1	20852	STEP 5	
Y551	1/2" Hex lock nut	1	Y410	3/8" x 2 1/2" Hex Bolt	32
Y552	large aluminum washer	2	Y451	3/8" Hex lock nut	32
20850	STEP 3		CP	3/8 x 2 1/2" clevis pin	4
Y410	3/8" x 2 1/2" Hex Bolt	4	HPC	1/8" hairpin cotter	4
Y451	3/8" Hex lock nut	4			



LSV30/40/50120BP

Vertical Pontoon Lift, 3000/4000/5000 lbs. Load Cap.,
120" Beam Width, 52" Lift Height

PARTS LIST LSV30120BP

REF.	PART NO.	PART NAME	QTY.
A	20834	Mainframe Post #3	1
B	20833	Mainframe Post #2	1
C	BUNK4000B	Bunk Assembly	4
D	BU07	Bunk Channel	8
E	BDL12	Bunk Down Leg	8
F	20676	Bunk Socket	8
H	W4	4000 lb. Winch	1
I	LS2005B/20886	41" Wheel/Shaft Adapter	1/1
J	20678	Bunk Socket Plate	8
K	20885F	Cradle Front	1
L	20839	Cradle Spreader	2
M	20862	Cradle Roller Kit	4
N/O	20837	Mainframe Spreader 120"	2
P	20832	Mainframe Post #1	1
Q	20885R	Cradle Rear	1
R	20833	Mainframe Post #4	1
S	20835	Leg Weld Assembly 36"	4

PARTS LIST LSV40120BP *same as LSV30120BP with the addition of:*

REF.	PART NO.	PART NAME	QTY.
T	20840	Diagonal Brace	4
U	20860	Diagonal Bracket	2
	20863	Bolt Package for Diagonal	1

PARTS LIST LSV50120BP *same as LSV30120BP but replace:*

REF.	PART NO.	PART NAME	QTY.
A	20901	Mainframe Post #3	1
B	20900	Mainframe Post #2	1
F	20902	Bunk Socket	8
H	W6	Winch	1
J	20904	Bunk Socket Plate	8
K	20898F	Front Cradle	1
Q	20898R	Rear Cradle	1
R	20900	Mainframe Post #4	1

REPLACEMENT PARTS LIST *Cables, Sheaves, Caps*

PART NO.	PART NAME	QTY.
20858	Cable Front 120B K 5/16" X 292" Galv.	1
20857	Cable Side J 5/16" X 180.5" SS	2
20854	Cable Rear 120BP O 5/16" X 192.5" SS	2
20532B	Pulley Sheave 3.75" Brass Kit Single Front/Side	6
20531B	Pulley Sheave 3.5" Steel Kit Double Rear	2
20889	Cradle Roller Kit B	16
CAPS3535	Cap Black Plastisol 3.5" x 3.5"	4