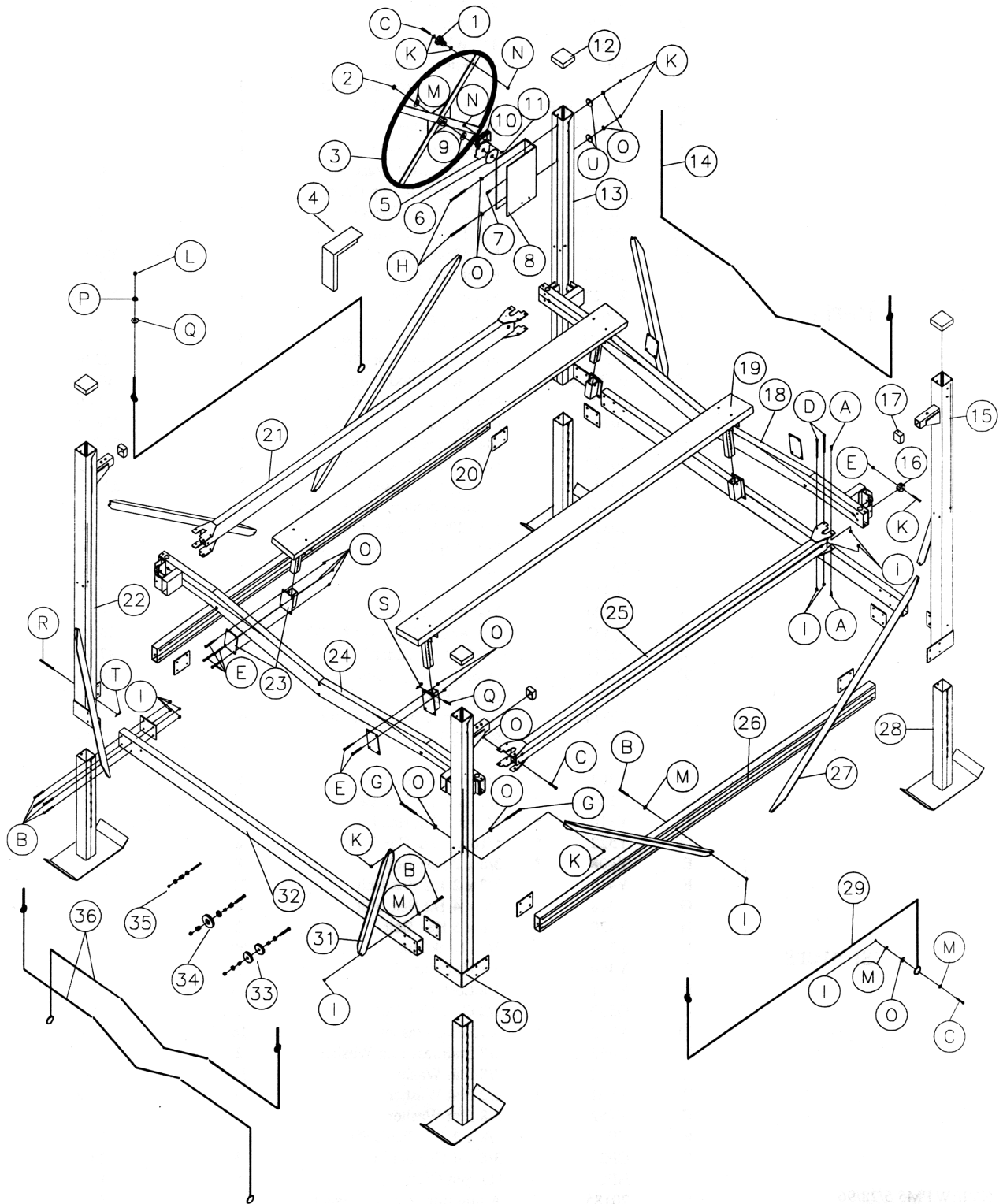


# LSV36108/120



# LSV36108/120 Vertical Lift, 3600 lbs. Load Capacity, 108"/120" Beam Width, 64" Lift Height

## PARTS LIST LSV36108

REF.	PART NO.	PART NAME	QTY.
1	20552	Wheel Knob with Fastening Hardware	1
2	Y756	5/8" Jam Nut	1
3	41W	41" Wheel - no longer available*	1
4	WC1	#1 Winch Cover	1
5	WLS	Winch Locking Sprocket	1
6	WINCHBP1	Winch Brake Pad	1
7	20039	Winch Wedge	1
8	W1	Large Winch (#1) - no longer available*	1
9	W952	Bronze Thrust Washer	1
10	WSC1	Large Winch Stop Cover	1
11	20147	Large Winch Spring	1
12	CAPS3535	3 1/2" x 3 1/2" Plastisol Cap	4
13	20322	Mainframe Post #1	1
14	20045	Front Cable	1
15	20323	Mainframe Post #2	1
16	20065	Cradle Roller	8
17	DEM12/CAPS1520	1-1/2" x 2" Plastisol Cap	3
18	20340	Front Cradle Assembly	1
19	BUNK4000	Carpeted Wood Bunk Assembly	2
20	20190	Mainframe Backer Plate	8
21	20345	Cradle Spreader Tube Assembly – Left	1
22	20325	Mainframe Post #4	1
23	20119	Bunk Post Socket Assembly	4
24	20341	Rear Cradle Assembly	1
25	20344	Cradle Spreader Tube Assembly – Right	1
26	20330	Mainframe 120" Spreader Tube	2
27	20333	Side Angle Brace – 62 3/8"	4
28	20327	Leg	4
29	20043	Side Cable	2
30	20324	Mainframe Post #3	1
31	20332	F/R Angle Brace – 48 1/8"	4
32	20331	Mainframe 108" Spreader Tube	2
33	20531	Double Pulley Assembly	2
34	20532	Single Pulley Assembly	6
35	20554	Roller Bearing Assembly	6
36	20044	Rear Cable	2

\* Replace with **LS2005B** - Wheel and W4 - Winch.  
 You must replace BOTH at the same time because of the threads.

## PARTS LIST LSV36120 *same as LSV36108 except replace with the following:*

14	20385	Front Cable	1
18	20379	Front Cable Assembly	1
24	20380	Rear Cable Assembly	1
26	20330	Mainframe 120" Spreader Tube	2
32	20330	Mainframe 120" Spreader Tube	2
36	20387	Rear Cable	2