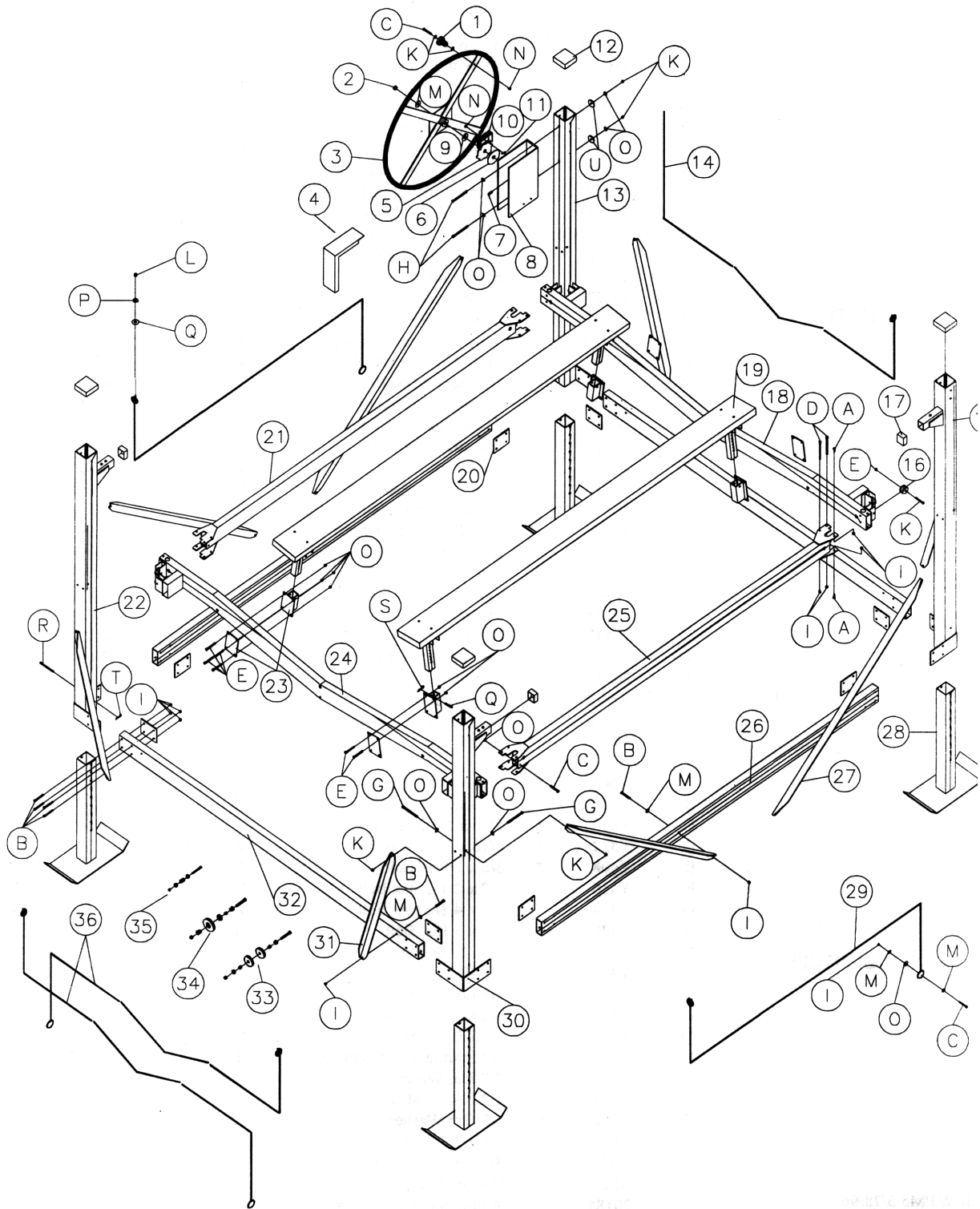


LSV36120A



LSV36120A Vertical Lift, 3600 lbs. Load Capacity, 120" Beam Width, 64" Lift Height

PARTS LIST

REF.	PART NO.	PART NAME	QTY.
1	20552	Wheel Knob with Fastening Hardware	1
2	Y756	5/8" Jam Nut	1
3	41W	41" Wheel - no longer available*	1
4	WC1	#1 Winch Cover	1
5	WLS	Winch Locking Sprocket	1
6	WINCHBP1	Winch Brake Pad	1
7	20039	Winch Wedge	1
8	W1	Large Winch (#1) - no longer available*	1
9	W952	Bronze Thrust Washer	1
10	WSC1	Large Winch Stop Cover	1
11	20147	Large Winch Spring	1
12	CAPS3535	3 1/2" x 3 1/2" Plastisol Cap	4
13	20322	Mainframe Post #1	1
14	20768	Front Cable 5/16" x 295" (D)	1
15	20765	Mainframe Post #2	1
16	20065	Cradle Roller	8
17	20466	1.5" X 4.5" Plastisol Cap	3
18	20377	Front Cradle Assembly	1
19	BUNK4000	Carpeted Wood Bunk Assembly	2
20	20190	Mainframe Backer Plate	8
21	20343	Cradle Spreader Tube – Left	1
22	20765	Mainframe Post #4	1
23	20119	Bunk Post Socket Assembly	4
24	20377	Rear Cradle Assembly	1
25	20343	Cradle Spreader Tube – Right	1
26	20330	Mainframe 120" Spreader Tube	2
27	VAB2	Angle Brace 71.5"	4
28	20327	Leg 36"	4
29	20767	Side Cable 5/16" X 189" (B) SS	2
30	20766	Mainframe Post #3	1
31	VAB1	Angle Brace 46.625"	4
32	20330	Mainframe 120" Spreader Tube	2
33	20531	Double Pulley System	2
34	20532	Single Pulley System	6
35	20554	Roller Bearing Assembly	6
36	20769	Rear Cable 1/4 x 199" (E) SS	2

* Replace with **LS2005B** - Wheel and W4 - Winch.
You must replace BOTH at the same time because of the threads.