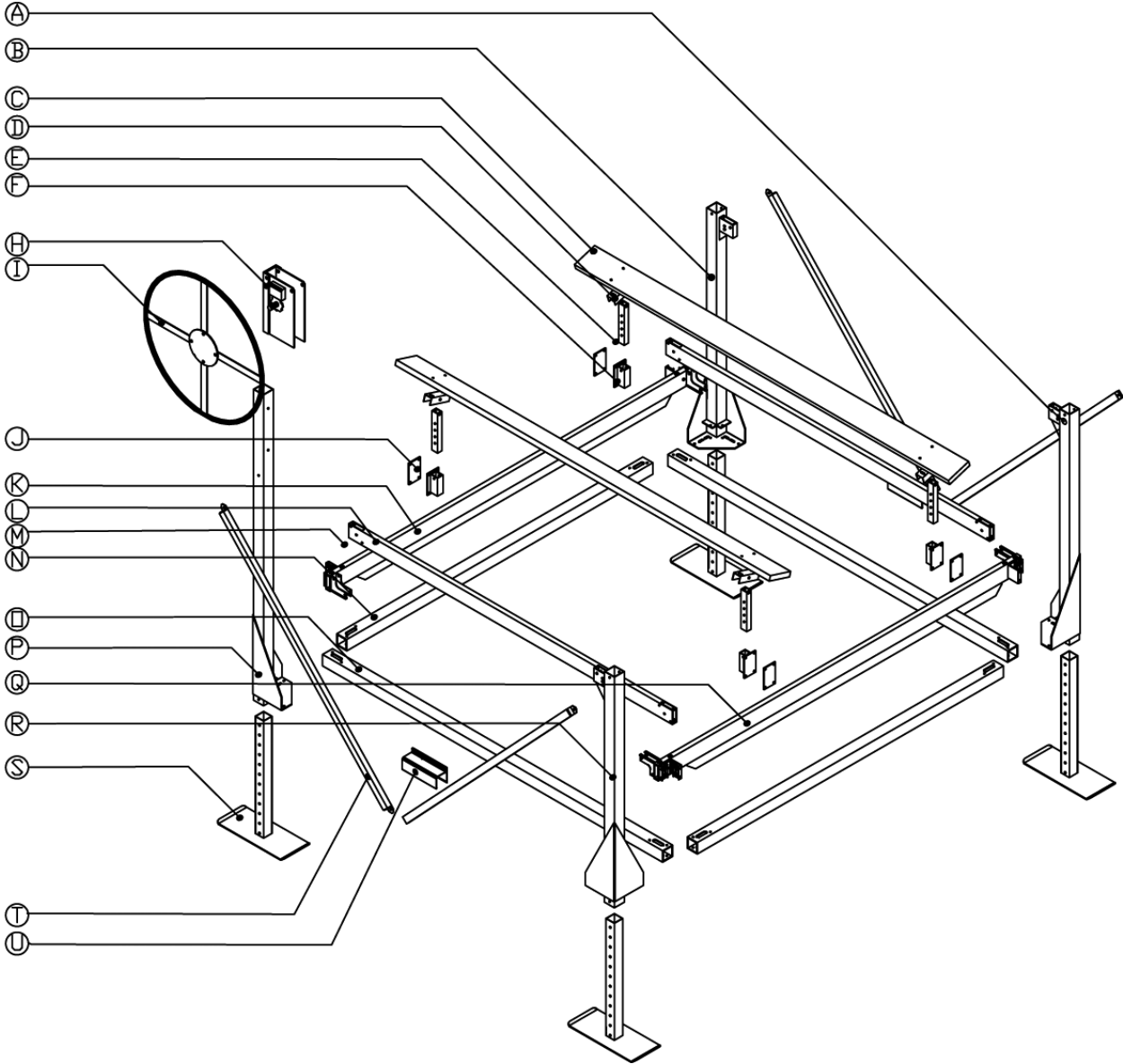


# LSV50120B



# LSV50120B Vertical Lift, 5000 lbs. Load Capacity, 120" Beam Width, 54" Lift Height

## PARTS LIST

REF.	PART NO.	PART NAME	QTY.
A	20901	Mainframe Post #3	1
B	20900	Mainframe Post #2	1
C	BUNK4000B	Bunk Assembly	2
D	BU07	Bunk Channel	4
E	BDL12	Bunk Down Leg	4
F	20902	Bunk Socket	4
H	W6	5000 lb. Winch	1
I	LS2005B/20886	41" Wheel/Shaft Adapter	1/1
J	20904	Bunk Socket Plate	4
K	20898F	Cradle Front	1
L	20839	Cradle Spreader	2
M	20862	Cradle Roller Kit	4
N	20837	Mainframe Spreader 120"	2
O	20837	Mainframe Spreader 120"	2
P	20832	Mainframe Post #1	1
Q	20898R	Cradle Rear	1
R	20900	Mainframe Post #4	1
S	20835	Leg Weld Assembly 36"	4
T	20840	Diagonal Brace	4
U	20860	Diagonal Bracket	2
	20863	Bolt Package for Diagonal	1