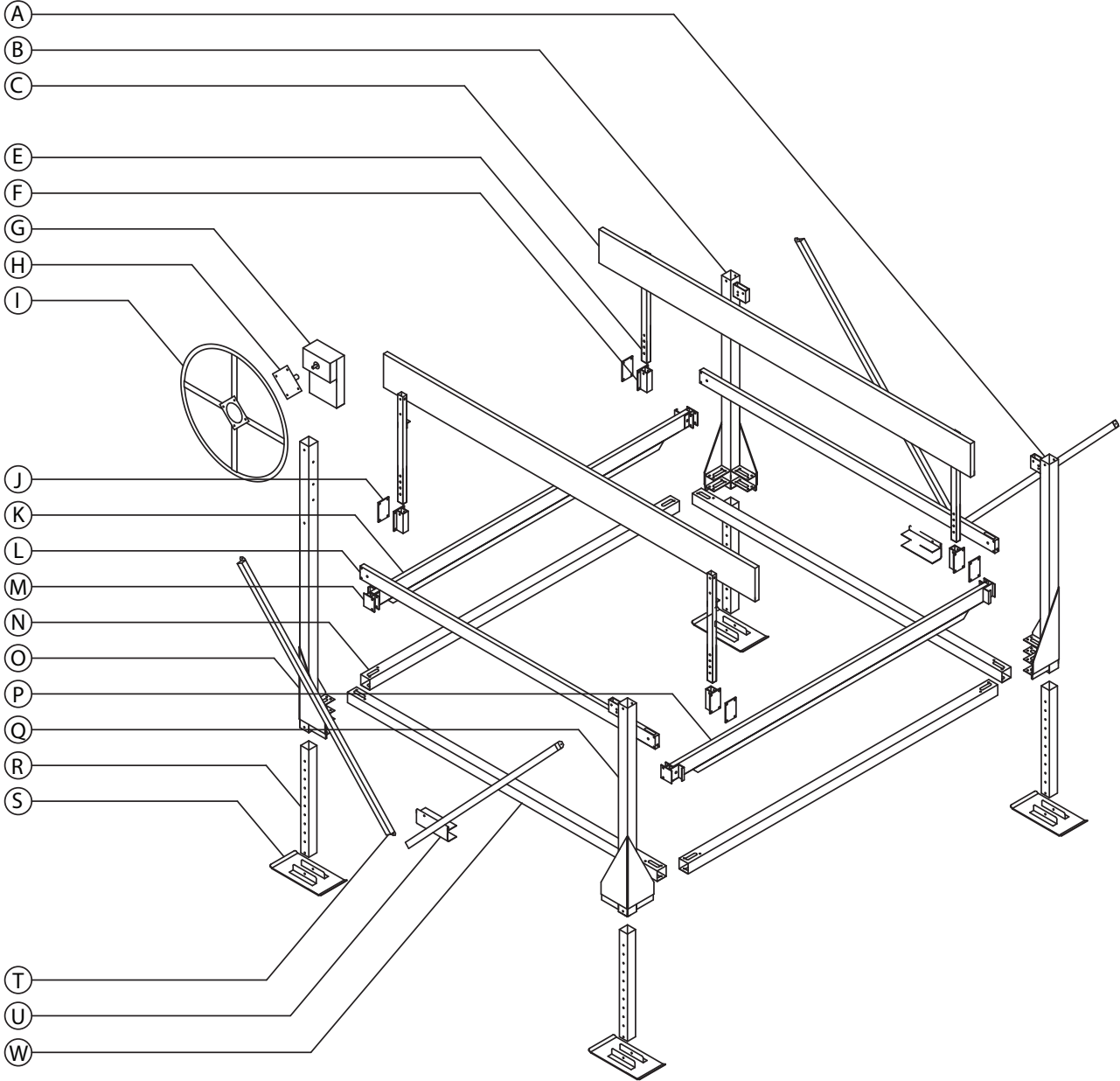


LSV50120CP-U



LSV50120CP-U Vertical Pontoon Lift, 5000 lbs. Capacity, 120" Beam Width, 52" Lift Height

PARTS LIST

REF.	PART NO.	PART NAME	QTY.
A	20901	Mainframe Post #3	1
B	20900	Mainframe Post #2	1
C		2 x 12 x 16' SYP Board (purchased locally)	2
E	20895	Under Deck Down Leg	4
F	20902	Bunk Socket	4
G	W6	5000 lb. Winch	1
H	20886	Shaft Adapter	1
I	LS2005B	41" Wheel	1
J	20904	Bunk Socket Plate	4
K	21044	Cradle Front	1
L	21039	Cradle Spreader	2
M	21035	Cradle Corner Bracket	4
N	20837	Mainframe Spreader 120"	2
O	20832	Mainframe Post #1	1
P	21044	Cradle Rear	1
Q	20900	Mainframe Post #4	1
R	20989	Leg Tube 36"	4
S	20990	Foot Pad	4
T	20840	Diagonal Brace	4
U	20860	Diagonal Bracket	2
W	20837	Mainframe Spreader 120"	2

REPLACEMENT PARTS

PART NO.	PART NAME	QTY
20858SS	Cable Front 120B K 5/16" x 276" SS	1
20857	Cable Side J 5/16" x 180.75" SS	2
20854	Cable Rear 120BP O 5/16" x 192" SS	2

BOLT LIST BPV30BSS

PART NO.	PART NAME	QTY	PART NO.	PART NAME	QTY
20848SS	STEP 1		20850SS	STEP 3	
X420	3/8" x 5" hex bolt	16	X410	3/8" x 2 1/2" hex bolt	4
Z451	3/8" hex lock nut	16	Z451	3/8" hex lock nut	4
X452	3/8" flat washer	32	X508	1/2" x 2" hex bolt	2
CP1	3/8" x 4" bent clevis pin	4	Z551	1/2" hex lock nut	2
HPC	1/8" hairpin cotter	4	SHACKLE	3/8" shackle	2
20849SS	STEP 2		20851SS	STEP 4	
X420	3/8" x 5" hex bolt	2	X410	3/8" x 2 1/2" hex bolt	4
Z451	3/8" hex lock nut	2	Z451	3/8" hex lock nut	4
X508	1/2" x 2" hex bolt	1	X508	1/2" x 2" hex bolt	2
Z551	1/2" hex lock nut	1	Z551	1/2" hex lock nut	2
Y552	large aluminum washer	2	SHACKLE	3/8" shackle	2
20890	5/32 allen wrench	1	20852SS	STEP 5	
			X410	3/8" x 2 1/2" hex bolt	16
			Z451	3/8" hex lock nut	16
			CP	3/8" x 2 1/2" clevis pin	4
			HPC	1/8" hairpin cotter	4