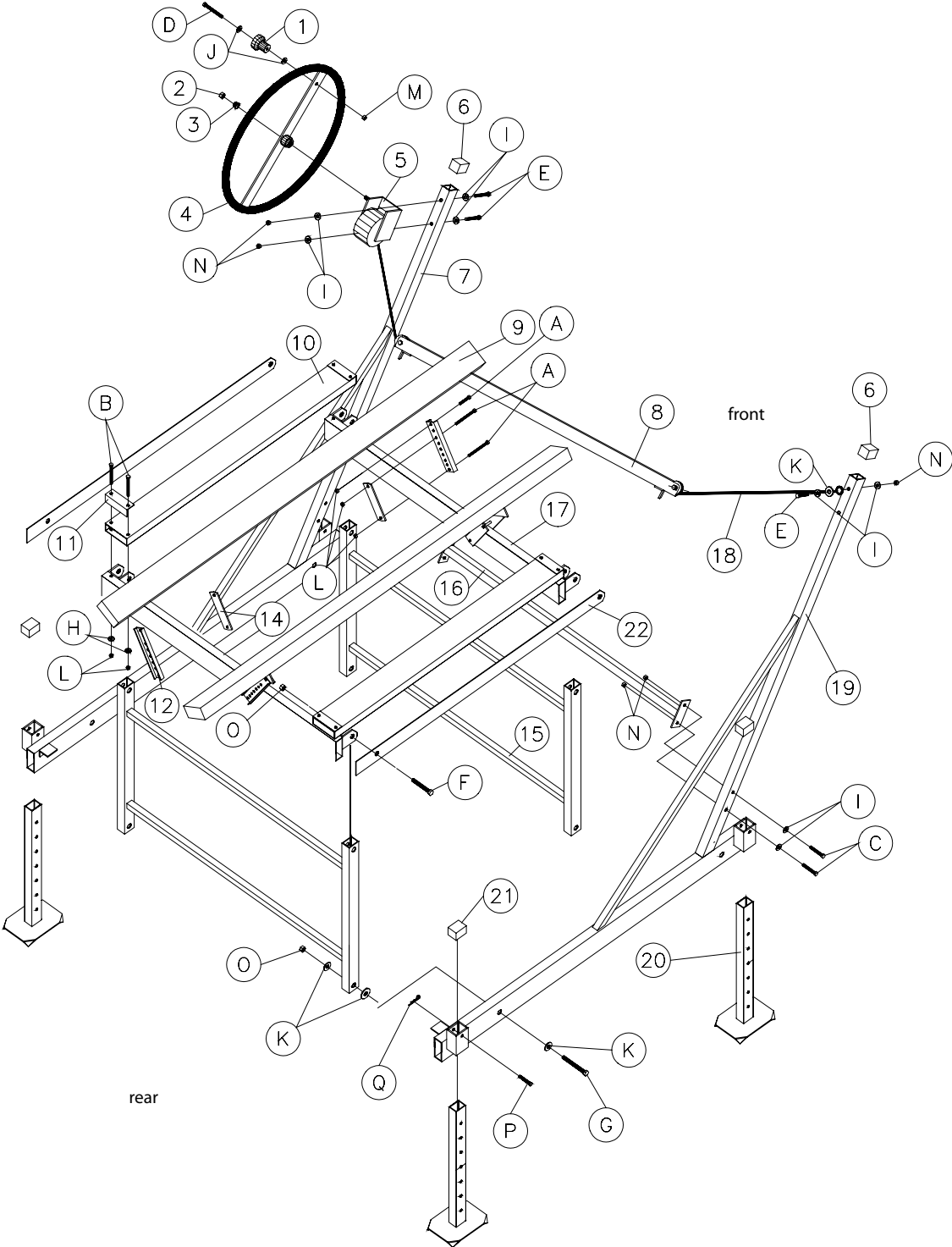


LSC1264



LSC1264 PWC Lift, 1200 lbs. Load Capacity, 64" Cradle Width, 35" Lift Height

PARTS LIST

REF.	PART NO.	PART NAME	QTY.	RETAIL PRICE (EACH)
1	20552	Wheel Knob with Fastening Hardware	1	\$6.00
2/3	20498	Winch Hardware	1	\$2.50
4	LS1102	25" JL Wheel	1	\$75.00
5	JLDWINCHD	Dutton-Lainson DLB-1500 Winch	1	\$132.00
6	20462/CAPS1530	1 1/2" x 3" Plastisol Cap	2	\$3.00
7	20874	Left Mainframe	1	\$210.00
8	20815/20682	Pulley Bar Assembly/Hardware Only	1/1	\$51.00/\$12.00
9	20420	Carpeted Bunk	2	\$37.00
10	20436	Cradle Spreader Tube	2	\$45.00
11	20463	Cradle End Cap	4	\$5.00
12	20501	Bunk Adjustment Channel	4	\$12.00
14	20502	Bunk Backer Plate	4	\$9.00
15	20817	H Unit	2	\$115.00
16	20818	Mainframe Spreader Tube	1	\$46.00
17	20816	Cradle	2	\$90.00
18	20464	Cable 3/16" x 252"	1	\$15.00
19	20875	Right Mainframe	1	\$210.00
20	JLU	Leg	4	\$48.00
21	DEM12/CAPS1520	1 1/2" x 2" Plastisol Cap	4	\$2.00
22	20576	Cradle Tie Bar	2	\$10.00

BOLT LIST

REF.	PART NO.	PART NAME	QTY.	RETAIL PRICE (EACH)
A	Y304	5/16 x 1 Hex Bolt	4	\$5.00
A	Y310	5/16 x 2 1/2 Hex Bolt	8	\$5.00
B	Y326	5/16 x 6 1/2 Hex Bolt	8	\$5.00
C	Y410	3/8 x 2 1/2 Hex Bolt	4	\$5.00
D	Y410	3/8 x 2 1/2 Hex Bolt	1	\$5.00
E	Y416	3/8 x 4 Hex Bolt	3	\$5.00
F	Y514	1/2 x 3 1/2 Hex Bolt	4	\$7.75
G	Y518	1/2 x 4 1/2 Hex Bolt	4	\$7.75
H	Y352	5/16 Flatwasher	8	\$5.00
I	Y452	3/8 Flatwasher	10	\$5.00
J	X452	3/8 Stainless Flatwasher	2	\$5.00
K	Y552	1/2 Flatwasher	13	\$5.00
L	Y351	5/16 Lock Nut	20	\$5.00
M	Y450	3/8 Hex Nut	1	\$5.00
N	Y451	3/8 Lock Nut	7	\$5.00
O	Y551	1/2 Lock Nut	8	\$5.00
P	CP	3/8 x 2 1/2 Clevis Pin	4	\$1.50
Q	HPC	Cotter	4	\$1.00