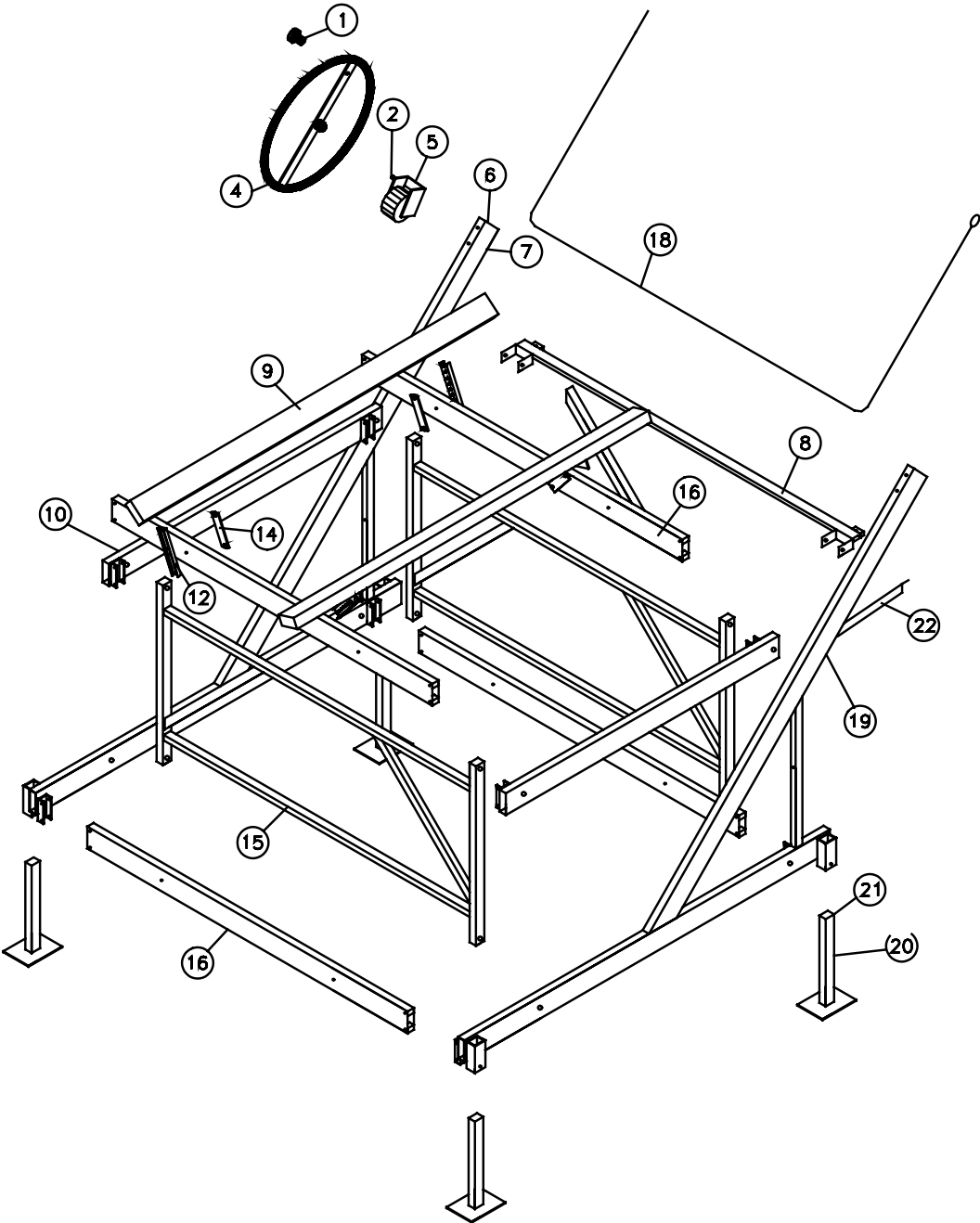


LSC1576



LSC1576 Cantilever Lift, 1500 lbs. Load Capacity, 76" Cradle Width, 35" Lift Height

PARTS LIST

<i>REF.</i>	<i>PART NO.</i>	<i>PART NAME</i>	<i>QTY.</i>	<i>RETAIL PRICE (EACH)</i>
1	20552	Wheel Knob	1	\$6.00
2	20498	Winch Hardware	1	\$2.50
4	LS1102	25" JL Wheel	1	\$75.00
5	20933D	Dutton-Lainson DLB-2500 Winch	1	\$175.00
6	CAPS1545	1 1/2" x 4 1/2" Grey Cap	2	\$4.00
7	20924	Left Mainframe	1	\$210.00
8	20930	Pulley Bar Assembly	1	\$100.00
9	20931	Carpeted Bunk	2	\$37.00
10	20928	Side Tube	2	\$45.00
12	20501	Bunk Adjustment Channel	4	\$12.00
14	20502	Bunk Backer Plate	4	\$9.00
15	20926	H Unit	2	\$115.00
16	20927	Spreader	4	\$45.00
18	20464	Cable 3/16" x 252"	1	\$15.00
19	20925	Right Mainframe	1	\$210.00
20	JLU	Leg	4	\$48.00
21	CAPS1520	1 1/2" x 2" Grey Cap	4	\$2.00
22	20929	Diagonal Brace	2	\$45.00

BOLT LIST

<i>REF.</i>	<i>PART NO.</i>	<i>PART NAME</i>	<i>QTY.</i>	<i>RETAIL PRICE (EACH)</i>
Y304		5/16 x 1 Hex Bolt	4	\$.50
Y310		5/16 x 2-1/2 Hex Bolt	20	\$.50
Y422		3/8 x 5-1/2 Hex Bolt	3	\$.50
Y518		1/2 x 4-1/2 Hex Bolt	4	\$.75
Y520		1/2 x 5 Hex Bolt	4	\$.75
Y352		5/16 Flatwasher	20	\$.50
Y452		3/8 Flatwasher	6	\$.50
Y552		1/2 Flatwasher	13	\$.50
Y351		5/16 Lock Nut	32	\$.50
Y451		3/8 Lock Nut	3	\$.50
Y551		1/2 Lock Nut	8	\$.50
CP		3/8 x 2 1/2 Clevis Pin	4	\$1.50
HPC		Cotter	4	\$1.00