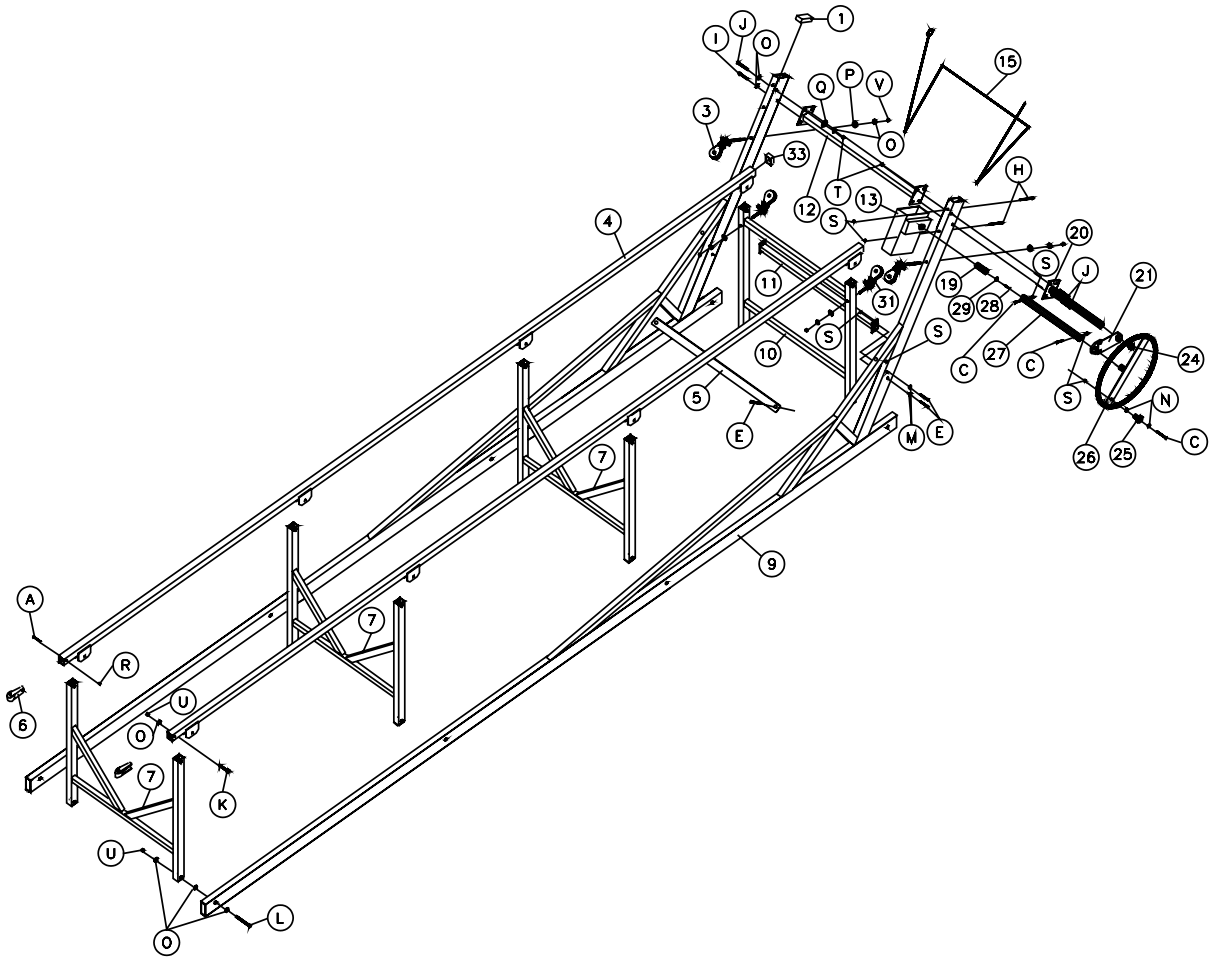


LSP16H • LSP21H • LSP24H • LSP28H



Section 5
LSP16H • LSP21H • LSP24H
• LSP28H

LSP16H • LSP21H • LSP24H • LSP28H

PARTS LIST

REF.	PART NO.	PART NAME	QTY.	RETAIL PRICE (EACH)
1	DEM25	2" x 5" Plastisol Cap	2	\$4.00
3	PUL6	6" Eyebolt Pulley	2	\$39.00
4	20390/20391/20392/20393*	Cradle Weld Assembly	2	\$210/270/330/390
5	20876	Stop Bar	1	\$10.00
6	PRK	Pontoon Roller Kit	2	\$35.00/pair
7	20590	Rear V-unit	2/3/3/4*	\$240.00
9	20159/20161/20163/20389*	Mainframe	2	\$540/600/660/720
10	20583	Front H-unit	1	\$240.00
11	20581	Spreader Tube Lower	1	\$60.00
12	20579	Spreader Tube Upper	1	\$80.00
13	W5	3500 lb. Winch	1	\$375.00
15	20640	Cable 1/4" x 37'	1	\$25.00
19	WSL	Winch Shaft Adapter	1	\$29.00
20	20111	Wheel Support Tube	1	\$36.00
21	20888	Wheel Support Assembly	1	\$36.00
24	PPCI	Post Cap	1	\$1.25
25	20552	Wheel Knob with Fastening Hardware	1	\$6.00
26	LS3004	32" Pontoon Wheel	1	\$100.00
27	20021	Wheel Extension Tube	1	\$25.00
28	Y304	5/16" x 1" Hex Bolt	1	\$.50
29	X452	3/8 Washer	1	\$.50
31	PUL3	3" Pulley Kit	2	\$37.00
33	DEM22	2" x 2 1/2" Plastisol Cap	2	\$3.00

BOLT LIST

REF.	PART NO.	PART NAME	QTY.	RETAIL PRICE (EACH)
A	Y310	5/16 X 2 1/2 Hex Bolt	2	\$.50
C	Y410	3/8 X 2 1/2 Hex Bolt	3	\$.50
E	Y412	3/8 X 3 Hex Bolt	6	\$.50
H	Y426	3/8 X 6 1/2 Hex Bolt	2	\$.50
I	Y512	1/2 X 3 Hex Bolt	1	\$.50
J	Y514	1/2 X 3 1/2 Hex Bolt	3	\$.75
K	Y514C*	1/2 X 3 1/2 Carriage Bolt	6/8/8/10	\$.75
L	Y522*	1/2 X 5 1/2 Hex Bolt	6/8/8/10	\$.75
M	Y452	3/8 Flat Washer	8	\$.50
N	X452	3/8 Stainless Flat Washer	2	\$.50
O	Y552*	1/2 Flat Washer	31/39/39/47	\$.50
P	Y752	5/8 Flat Washer	4	\$.50
Q	Y652	3/4 Flat Washer	4	\$.50
R	Y351	5/16 Lock Nut	2	\$.50
S	Y450	3/8 Hex Nut	14	\$.50
T	Y550	1/2 Hex Nut	4	\$.50
U	•Y551	1/2 Lock Nut	16/20/20/24	\$.50
V	G550	1/2 Galvanized Hex Nut	4	\$.75

* LSP16H/LSP21H/LSP24H/LSP28H