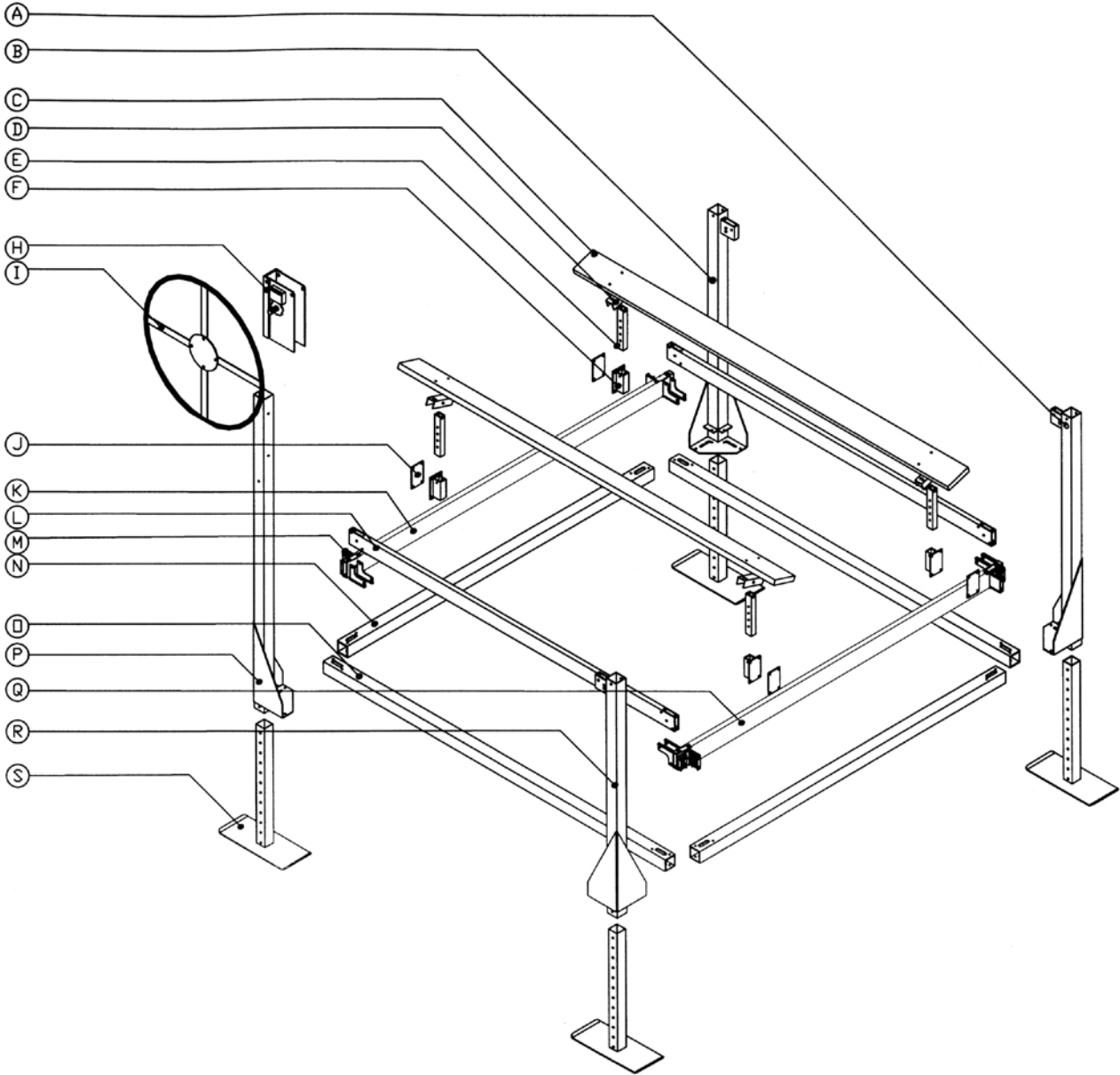


# LSV20100B



# LSV20100B Vertical Lift, 2000 lbs. Load Capacity, 100" Beam Width, 54" Lift Height

## PARTS LIST

REF. PART NO. (EACH)	PART NAME	QTY.	RETAIL PRICE
A 20834	Mainframe Post #3	1	\$209.00
B 20833	Mainframe Post #2	1	\$209.00
C BUNK2000B	Bunk Assembly	2	\$150.00
D BU07	Bunk Channel	4	\$10.00
E BDL12	Bunk Down Leg	4	\$15.00
F 20676	Bunk Socket	4	\$26.00
H W5	3500 lb. Winch	1	\$375.00
I LS2005B/20886	41" Wheel/Shaft Adapter	1/1	\$125.00/\$50.00
J 20678	Bunk Socket Plate	4	\$11.00
K 20877F	Cradle Front	1	\$150.00
L 20878	Cradle Spreader	2	\$100.00
M 20862	Cradle Roller Kit	4	\$40.00
N/O 20879	Mainframe Spreader 100"	2	\$120.00
P 20832	Mainframe Post #1	1	\$235.00
Q 20877R	Cradle Rear	1	\$150.00
R 20833	Mainframe Post #4	1	\$209.00
S 20835	Leg Weld Assembly 36"	4	\$60.00

## REPLACEMENT PARTS LIST *Cables, Sheaves, Caps*

PART NO. (EACH)	PART NAME	QTY.	RETAIL PRICE
20856	Cable Front 100/108B I 5/16" X 258" Galv.	1	\$38.00
20881	Cable Side 100B M 1/4" X 161.5" SS	2	\$80.00
20882	Cable Rear 100B N 1/4" X 171" SS	2	\$80.00
20532B	Pulley Sheave 3.75" Brass Kit Single Front/Side	2	\$60.00
20531B	Pulley Sheave 3.5" Steel Kit Double Rear	2	\$60.00
20871	Single Pulley System Nylon Kit	4	\$60.00
20889	Cradle Roller Kit B	16	\$5.00
CAPS3535	Black Plastisol 3.5" x 3.5"	4	\$6.50

## BOLT LIST

PART NO.	PART NAME	QTY.	RETAIL PRICE (EA)	PART NO.	PART NAME	QTY.	RETAIL PRICE (EA)
20848	STEP 1			Y508	1/2 x 2 Hex Bolt	2	\$.50
Y418	3/8 x 4 1/2 Hex Bolt	16	\$.50	Y551	1/2 Hex Lock Nut	2	\$.50
Y451	3/8 Hex Lock Nut	16	\$.50	SHACKLE	3/8 Shackle	2	\$.50
Y452	3/8 Flat Washer	16	\$.50	20851	STEP 4		
CP1	3/8 x 4 Bent Clevis Pin	4	\$2.00	Y410	3/8 x 2 1/2 Hex Bolt	4	\$.50
HPC	1/8 Hairpin Cotter	4	\$1.00	Y451	3/8 Hex lock Nut	4	\$.50
20849	STEP 2			Y508	1/2 x 2 Hex Bolt	2	\$.50
Y420	3/8 x 5 Hex Bolt	2	\$.50	Y551	1/2 Hex Lock Nut	2	\$.50
Y451	3/8 Hex Lock Nut	2	\$.50	SHACKLE	3/8 Shackle	2	\$.50
Y508	1/2 x 2 Hex Bolt	1	\$.50	20852	STEP 5		
Y551	1/2 Hex Lock Nut	1	\$.50	Y410	3/8 x 2 1/2 Hex Bolt	16	\$.50
Y552	Large Aluminum Washer	2	\$.50	Y451	3/8 Hex Lock Nut	16	\$.50
20850	STEP 3			CP	3/8 x 2 1/2 Clevis Pin	4	\$1.50
Y410	3/8 x 2 1/2 Hex Bolt	4	\$.50	HPC	1/8 Hairpin Cotter	4	\$1.00
Y451	3/8 Hex Lock Nut	4	\$.50				