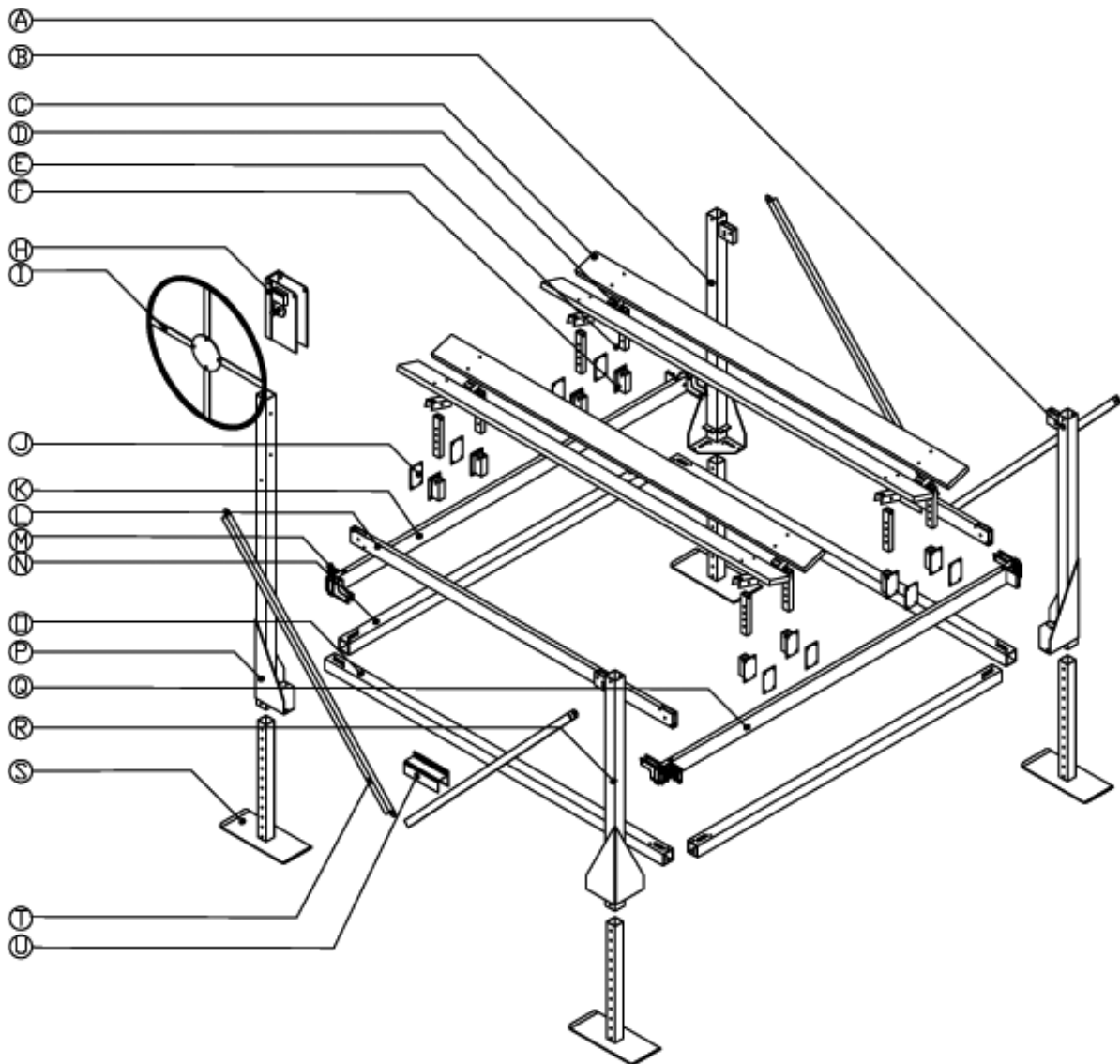


LSV30/40120BP

BOLT LIST

PART NO.	PART NAME	QTY.	RETAIL PRICE (EA.)	PART NO.	PART NAME	QTY.	RETAIL PRICE (EA.)
20848	STEP 1						
Y418	3/8" x 4 1/2" Hex Bolt	16	\$.50	Y508	1/2" x 2" Hex Bolt	2	\$.50
Y451	3/8" Hex lock nut	16	\$.50	Y551	1/2" Hex lock nut	2	\$.50
Y452	3/8" Flat Washer	16	\$.50	SHACKLE	3/8" shackle	2	\$.50
CP1	3/8 x 4" bent clevis pin	4	\$2.00	20851	STEP 4		
HPC	1/8" hairpin cotter	4	\$1.00	Y410	3/8" x 2 1/2" Hex Bolt	4	\$.50
20849	STEP 2			Y451	3/8" Hex lock nut	4	\$.50
Y420	3/8" x 5" Hex Bolt	2	\$.50	Y508	1/2" x 2" Hex Bolt	2	\$.50
Y451	3/8" Hex lock nut	2	\$.50	Y551	1/2" Hex lock nut	2	\$.50
Y508	1/2" x 2" Hex Bolt	1	\$.50	SHACKLE	3/8" shackle	2	\$.50
Y551	1/2" Hex lock nut	1	\$.50	20852	STEP 5		
Y552	large aluminum washer	2	\$.50	Y410	3/8" x 2 1/2" Hex Bolt	32	\$.50
20850	STEP 3			Y451	3/8" Hex lock nut	32	\$.50
Y410	3/8" x 2 1/2" Hex Bolt	4	\$.50	CP	3/8 x 2 1/2" clevis pin	4	\$1.50
Y451	3/8" Hex lock nut	4	\$.50	HPC	1/8" hairpin cotter	4	\$1.00



LSV30/40120BP Vertical Pontoon Lift, 3000/4000 lbs. Load Cap., 120" Beam Width, 52" Lift Height

PARTS LIST LSV30120BP

REF.	PART NO.	PART NAME	QTY.	RETAIL PRICE (EACH)
A	20834	Mainframe Post #3	1	\$209.00
B	20833	Mainframe Post #2	1	\$209.00
C	BUNK4000B	Bunk Assembly	4	\$150.00
D	BU07	Bunk Channel	8	\$10.00
E	BDL12	Bunk Down Leg	8	\$15.00
F	20676	Bunk Socket	8	\$26.00
H	W4	4000 lb. Winch	1	\$425.00
I	LS2005B/20886	41" Wheel/Shaft Adapter	1/1	\$125.00/\$50.00
J	20678	Bunk Socket Plate	8	\$11.00
K	20885F	Cradle Front	1	\$200.00
L	20839	Cradle Spreader	2	\$100.00
M	20862	Cradle Roller Kit	4	\$40.00
N/O	20837	Mainframe Spreader 120"	2	\$143.00
P	20832	Mainframe Post #1	1	\$235.00
Q	20885R	Cradle Rear	1	\$200.00
R	20833	Mainframe Post #4	1	\$209.00
S	20835	Leg Weld Assembly 36"	4	\$60.00

PARTS LIST LSV40120BP *same as LSV30120BP with the addition of:*

REF.	PART NO.	PART NAME	QTY.	RETAIL PRICE (EACH)
T	20840	Diagonal Brace	4	\$75.00
U	20860	Diagonal Bracket	2	\$25.00
	20863	Bolt Package for Diagonal	1	\$8.00

REPLACEMENT PARTS LIST *Cables, Sheaves, Caps*

PART NO.	PART NAME	QTY.	RETAIL PRICE (EACH)
20858	Cable Front 120B K 5/16" X 292" Galv.	1	\$38.00
20857	Cable Side J 5/16" X 180.5" SS	2	\$80.00
20854	Cable Rear 120BP O 5/16" X 192.5" SS	2	\$80.00
20532B	Pulley Sheave 3.75" Brass Kit Single Front/Side	6	\$60.00
20531B	Pulley Sheave 3.5" Steel Kit Double Rear	2	\$60.00
20889	Cradle Roller Kit B	16	\$5.00
CAPS3535	Cap Black Plastisol 3.5" x 3.5"	4	\$6.50