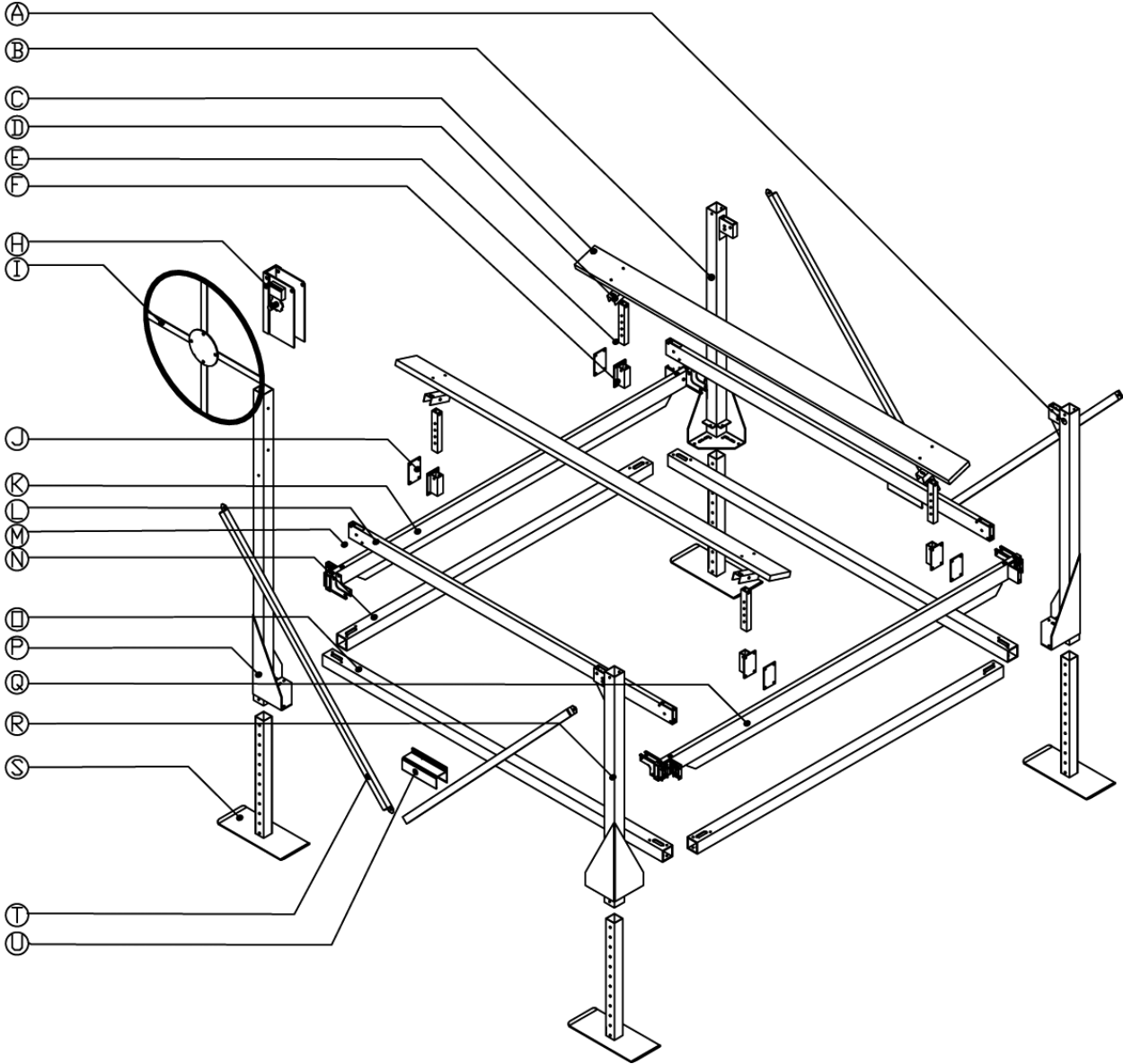


LSV50120B



LSV50120B Vertical Lift, 5000 lbs. Load Capacity, 120" Beam Width, 54" Lift Height

A	20901	Mainframe Post #3	1	\$275.00
B	20900	Mainframe Post #2	1	\$275.00
C	BUNK4000B	Bunk Assembly	2	\$150.00
D	BU07	Bunk Channel	4	\$10.00
E	BDL12	Bunk Down Leg	4	\$15.00
F	20902	Bunk Socket	4	\$35.00
H	W6	5000 lb. Winch	1	\$775.00
I	LS2005B/20886	41" Wheel/Shaft Adapter	1/1	\$125.00/50.00
J	20904	Bunk Socket Plate	4	\$11.00
K	20898F	Cradle Front	1	\$400.00
L	20839	Cradle Spreader	2	\$100.00
M	20862	Cradle Roller Kit	4	\$40.00
N	20837	Mainframe Spreader 120"	2	\$143.00
O	20837	Mainframe Spreader 120"	2	\$143.00
P	20832	Mainframe Post #1	1	\$235.00
Q	20898R	Cradle Rear	1	\$400.00
R	20900	Mainframe Post #4	1	\$275.00
S	20835	Leg Weld Assembly 36"	4	\$60.00
T	20840	Diagonal Brace	4	\$75.00
U	20860	Diagonal Bracket	2	\$25.00
	20863	Bolt Package for Diagonal	1	\$8.00